

**STANDARD CONSTRUCTION:**

- 22 GAUGE GALVANIZED STEEL HOUSING. MECHANICALLY SEALED, LEAK RESISTANT CONSTRUCTION.
- 1" (25mm) THICK FIBERGLASS INTERNAL INSULATION WITH MEETS THE REQUIREMENTS OF NFPA 90A AND UL181.
- RECTANGULAR TO ROUND INSULATED TRANSITION (EXT), 20 GAUGE GALVANIZED CASING.
- RECTANGULAR INLET OPENING WITH SLIP AND DRIVE CLEAT DUCT CONNECTION.
- MULTI-POINT, CENTER AVERAGING AIRFLOW SENSOR.
- 1/2" (13mm) GALVANIZED DAMPER SHAFT WITH POSITION INDICATOR.
- RIGHT HAND UNIT SHOWN (CRH), LEFT HAND AVAILABLE (CLH).

**CONTROLS OPTIONS:**

- FIELD MOUNTED CONTROLS, SUPPLIED BY OTHERS (FLD)
- FACTORY MOUNTED DIGITAL CONTROLS, SUPPLIED BY OTHERS (FAC)
- FACTORY MOUNTED DIGITAL CONTROLS, SUPPLIED BY PRICE (EHPD)
- FACTORY MOUNTED PNEUMATIC CONTROLS, SUPPLIED BY PRICE (EHPP)

**LINER OPTIONS:**

- FIBER FREE FOAM 1" (25mm) (FF1)
- SOLID METAL WITH FG1 (SM1)
- CLEANROOM ANGLES WITH FB1 (CRAF1)
- PERFORATED METAL WITH FB1 (AFPM1)
- CLEANROOM ANGLES (CA) WITH FG1 OR FF1

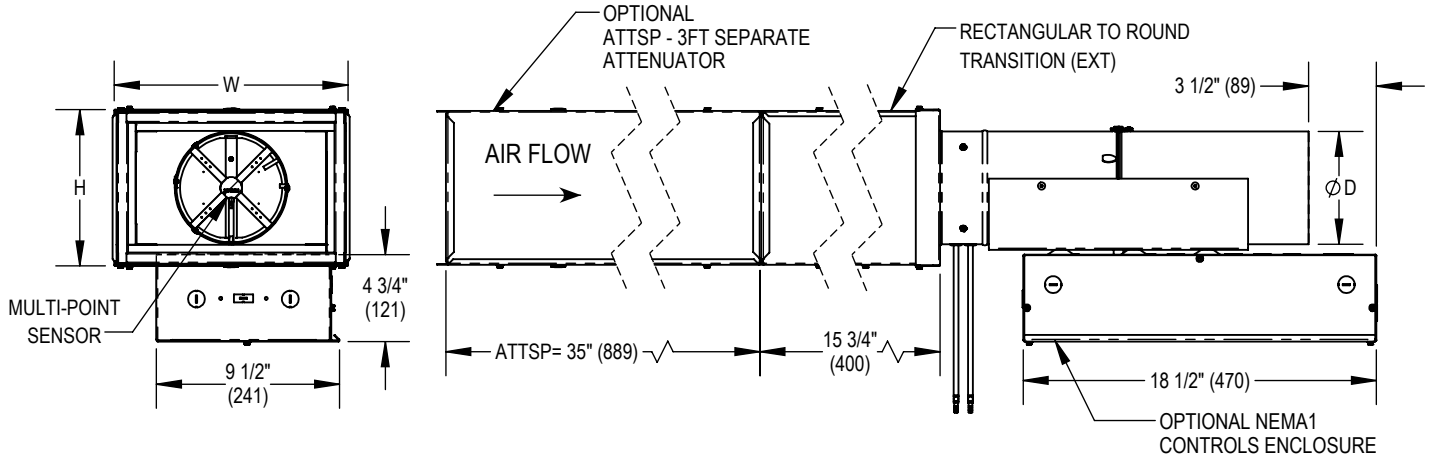
**UNIT OPTIONS:**

- NEMA1 CONTROLS ENCLOSURE (PS)
- DISCONNECT SWITCH (DSW)
- ATTSP - 3FT SEPARATE ATTENUATOR
- REMOVABLE SENSOR (RS)
- ORIFICE RING FLOW SENSOR (ORF)
- BRASS AIRFLOW SENSOR GAUGE TAPS (GT)

UNIT SIZE	INLET SIZES	WIDTH	HEIGHT
	D	W	H
6	5 7/8 (149)	12 (305)	8 (203)
7	6 7/8 (175)		10 (254)
8	7 7/8 (200)		
9	8 7/8 (225)	14 (356)	12 1/2 (318)
10	9 7/8 (251)		
12	11 7/8 (302)	16 (406)	15 (381)
14	13 7/8 (352)	20 (508)	17 1/2 (445)
16	15 7/8 (403)	24 (610)	18 (457)

ALL METRIC DIMENSIONS [ ] ARE SOFT CONVERTED. IMPERIAL DIMENSIONS ARE CONVERTED TO METRIC AND ROUNDED TO THE NEAREST MILLIMETER.

<b>PROJECT:</b>		<b>price</b> <sup>®</sup>
<b>ENGINEER:</b>		
<b>CUSTOMER:</b>		DRAWING NO: 277879
<b>SUBMITTAL DATE:</b>	<b>SPEC. SYMBOL:</b>	DATE DRAWN: 2025-05-22
		<b>RDV EXHAUST CONTROL VALVE VARIABLE VOLUME TRANSITION (EXT)</b>



**STANDARD CONSTRUCTION:**

- 22 GAUGE GALVANIZED STEEL HOUSING. MECHANICALLY SEALED, LEAK RESISTANT CONSTRUCTION.
- 1" (25mm) THICK FIBERGLASS INTERNAL INSULATION WHICH MEETS THE REQUIREMENTS OF NFPA 90A AND UL181.
- RECTANGULAR TO ROUND INSULATED TRANSITION (EXT), 20 GAUGE GALVANIZED CASING.
- RECTANGULAR INLET OPENING WITH SLIP AND DRIVE CLEAT DUCT CONNECTION.
- MULTI-POINT, CENTER AVERAGING AIRFLOW SENSOR.
- 1/2" (13mm) GALVANIZED DAMPER SHAFT WITH POSITION INDICATOR.

**CONTROLS OPTIONS:**

- FIELD MOUNTED CONTROLS, SUPPLIED BY OTHERS (FLD)
- FACTORY MOUNTED DIGITAL CONTROLS, SUPPLIED BY OTHERS (FAC)
- FACTORY MOUNTED DIGITAL CONTROLS, SUPPLIED BY PRICE (EHDP)
- FACTORY MOUNTED PNEUMATIC CONTROLS, SUPPLIED BY PRICE (EHPP)

**LINER OPTIONS:**

- FIBER FREE FOAM 1" (25mm) (FF1)
- SOLID METAL WITH FG1 (SM1)
- CLEANROOM ANGLES WITH FB1 (CRAF1)
- PERFORATED METAL WITH FB1 (AFPM1)
- CLEANROOM ANGLES (CA) WITH FG1 OR FF1

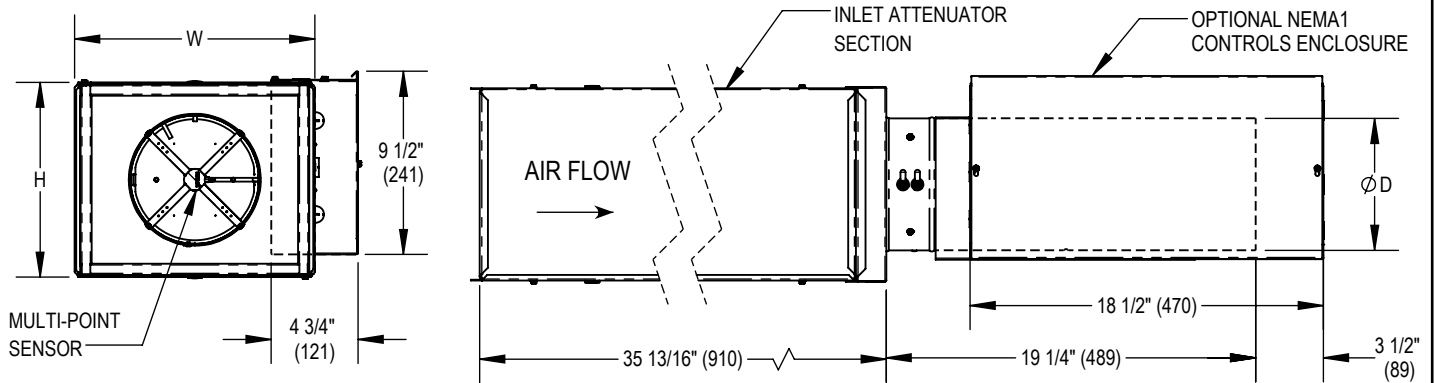
**UNIT OPTIONS:**

- NEMA1 CONTROLS ENCLOSURE (PS)
- DISCONNECT SWITCH (DSW)
- ATTSP - 3FT SEPARATE ATTENUATOR
- REMOVABLE SENSOR
- ORIFICE RING FLOW SENSOR (ORF)
- BRASS AIRFLOW SENSOR GAUGE TAPS (GT)

UNIT SIZE	INLET SIZES	WIDTH	HEIGHT
	D	W	H
6	5 7/8 (149)	12 (305)	8 (203)
7	6 7/8 (175)		10 (254)
8	7 7/8 (200)		
9	8 7/8 (225)	14 (356)	12 1/2 (318)
10	9 7/8 (251)		
12	11 7/8 (302)	16 (406)	15 (381)
14	13 7/8 (352)	20 (508)	17 1/2 (445)
16	15 7/8 (403)	24 (610)	18 (457)

ALL METRIC DIMENSIONS [ ] ARE SOFT CONVERTED. IMPERIAL DIMENSIONS ARE CONVERTED TO METRIC AND ROUNDED TO THE NEAREST MILLIMETER.

<b>PROJECT:</b>		<b>price</b> <sup>®</sup>	
<b>ENGINEER:</b>		APPROVED BY: <i>BS</i>	<b>RDV EXHAUST CONTROL VALVE VARIABLE VOLUME TRANSITION (EXT) CONTROLS BOTTOM</b>
<b>CUSTOMER:</b>		DRAWING NO: 277885	
<b>SUBMITTAL DATE:</b>	<b>SPEC. SYMBOL:</b>	DATE DRAWN: 2025-05-22	



**STANDARD CONSTRUCTION:**

- 22 GAUGE GALVANIZED STEEL HOUSING. MECHANICALLY SEALED, LEAK RESISTANT CONSTRUCTION.
- 1" (25mm) THICK INTERNAL FIBERGLASS INSULATION WHICH MEETS REQUIREMENTS • OF NFPA 90A AND UL181.
- ATTENUATOR - 20 GAUGE GALVANIZED CASING WITH SLIP AND DRIVE CLEAT CONNECTION.
- RECTANGULAR INLET OPENING WITH SLIP AND DRIVE CLEAT DUCT CONNECTION.
- MULTI-POINT, CENTER AVERAGING AIRFLOW SENSOR.
- 1/2" (13mm) GALVANIZED DAMPER SHAFT WITH POSITION INDICATOR.
- RIGHT HAND UNIT SHOWN (CRH), LEFT HAND AVAILABLE (CLH).

**CONTROLS OPTIONS:**

- FIELD MOUNTED CONTROLS, SUPPLIED BY OTHERS (FLD)
- FACTORY MOUNTED DIGITAL CONTROLS, SUPPLIED BY OTHERS (FAC)
- FACTORY MOUNTED DIGITAL CONTROLS, SUPPLIED BY PRICE (EHPD)
- FACTORY MOUNTED PNEUMATIC CONTROLS, SUPPLIED BY PRICE (EHPP)

**LINER OPTIONS:**

- FIBER FREE FOAM 1" (25mm) (FF1)
- SOLID METAL WITH FG1 (SM1)
- CLEANROOM ANGLES WITH FB1 (CRAF1)
- PERFORATED METAL WITH FB1 (AFPM1)
- CLEANROOM ANGLES (CA) WITH FG1 OR FF1

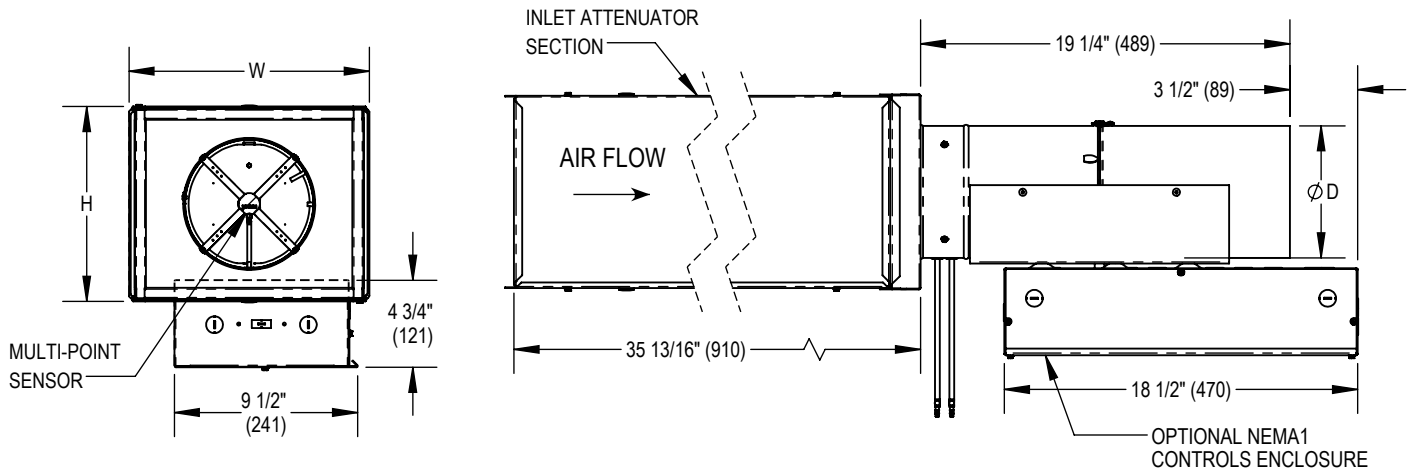
**UNIT OPTIONS:**

- NEMA1 CONTROLS ENCLOSURE (PS)
- DISCONNECT SWITCH (DSW)
- REMOVABLE SENSOR (RS)
- ORIFICE RING FLOW SENSOR (ORF)
- BRASS AIRFLOW SENSOR GAUGE TAPS (GT)

UNIT SIZE	INLET SIZES	WIDTH	HEIGHT
	D	W	H
6	5 7/8 (149)	12 (305)	8 (254)
7	6 7/8 (175)		10 (254)
8	7 7/8 (200)		
9	8 7/8 (225)	14 (356)	12 1/2 (318)
10	9 7/8 (251)		
12	11 7/8 (302)	16 (406)	15 (381)
14	13 7/8 (352)	20 (508)	17 1/2 (445)
16	15 7/8 (403)	24 (610)	18 (457)

ALL METRIC DIMENSIONS [ ] ARE SOFT CONVERTED. IMPERIAL DIMENSIONS ARE CONVERTED TO METRIC AND ROUNDED TO THE NEAREST MILLIMETER.

<b>PROJECT:</b>		<b>price</b> <sup>®</sup>								
<b>ENGINEER:</b>			APPROVED BY: <i>BS</i>							
<b>CUSTOMER:</b>		DRAWING NO: 277886								
<b>SUBMITTAL DATE:</b>	<b>SPEC. SYMBOL:</b>	DATE DRAWN: 2025-05-22								
<table border="0" style="width: 100%;"> <tr> <td style="width: 50%; text-align: center;"><b>RDV</b></td> <td style="width: 50%; text-align: center;"><b>RDV</b></td> </tr> <tr> <td style="text-align: center;">EXHAUST CONTROL VALVE</td> <td style="text-align: center;">EXHAUST CONTROL VALVE</td> </tr> <tr> <td style="text-align: center;">VARIABLE VOLUME</td> <td style="text-align: center;">VARIABLE VOLUME</td> </tr> <tr> <td style="text-align: center;">INLET ATTENUATOR</td> <td style="text-align: center;">INLET ATTENUATOR</td> </tr> </table>			<b>RDV</b>	<b>RDV</b>	EXHAUST CONTROL VALVE	EXHAUST CONTROL VALVE	VARIABLE VOLUME	VARIABLE VOLUME	INLET ATTENUATOR	INLET ATTENUATOR
<b>RDV</b>	<b>RDV</b>									
EXHAUST CONTROL VALVE	EXHAUST CONTROL VALVE									
VARIABLE VOLUME	VARIABLE VOLUME									
INLET ATTENUATOR	INLET ATTENUATOR									



**STANDARD CONSTRUCTION:**

- 22 GAUGE GALVANIZED STEEL HOUSING. MECHANICALLY SEALED, LEAK RESISTANT CONSTRUCTION.
- 1" (25mm) THICK FIBERGLASS INTERNAL INSULATION WHICH MEETS THE REQUIREMENTS OF NFPA 90A AND UL181.
- ATTENUATOR - 20 GAUGE GALVANIZED CASING WITH SLIP AND DRIVE CLEAT CONNECTION.
- RECTANGULAR INLET OPENING WITH SLIP AND DRIVE CLEAT DUCT CONNECTIONS.
- MULTI-POINT, CENTER AVERAGING AIRFLOW SENSOR.
- 1/2" (13mm) GALVANIZED DAMPER SHAFT WITH POSITION INDICATOR.

**CONTROLS OPTIONS:**

- FIELD MOUNTED CONTROLS, SUPPLIED BY OTHERS (FLD)
- FACTORY MOUNTED DIGITAL CONTROLS, SUPPLIED BY OTHERS (FAC)
- FACTORY MOUNTED DIGITAL CONTROLS, SUPPLIED BY PRICE (EHPD)
- FACTORY MOUNTED PNEUMATIC CONTROLS, SUPPLIED BY PRICE (EHPP)

**LINER OPTIONS:**

- FIBER FREE FOAM 1" (25mm) (FF1)
- SOLID METAL WITH FG1 (SM1)
- CLEANROOM ANGLES WITH FB1 (CRAF1)
- PERFORATED METAL WITH FB1 (AFPM1)
- CLEANROOM ANGLES (CA) WITH FG1 OR FF1

**UNIT OPTIONS:**

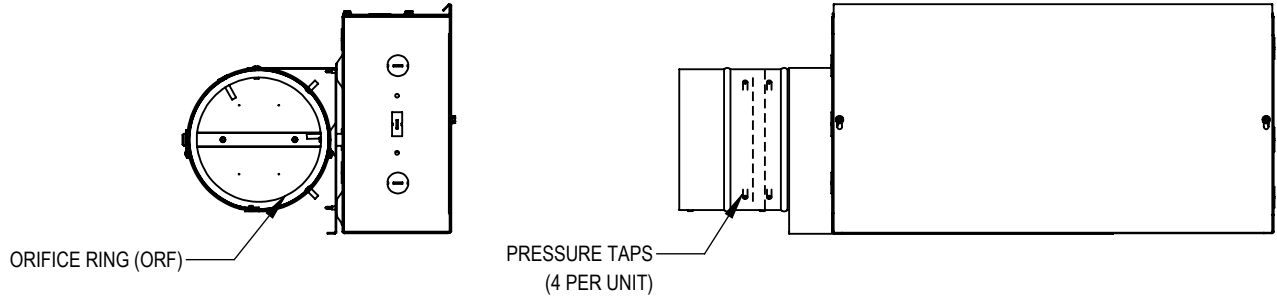
- NEMA1 CONTROLS ENCLOSURE (PS)
- DISCONNECT SWITCH (DSW)
- REMOVABLE SENSOR (RS)
- ORIFICE RING FLOW SENSOR (ORF)
- BRASS AIRFLOW SENSOR GAUGE TAPS (GT)

UNIT SIZE	INLET SIZES	WIDTH	HEIGHT
	D	W	H
6	5 7/8 (149)	12 (305)	8 (254)
7	6 7/8 (175)		10 (254)
8	7 7/8 (200)		
9	8 7/8 (225)	14 (356)	12 1/2 (318)
10	9 7/8 (251)		
12	11 7/8 (302)	16 (406)	15 (381)
14	13 7/8 (352)	20 (508)	17 1/2 (445)
16	15 7/8 (403)	24 (610)	18 (457)

ALL METRIC DIMENSIONS [ ] ARE SOFT CONVERTED. IMPERIAL DIMENSIONS ARE CONVERTED TO METRIC AND ROUNDED TO THE NEAREST MILLIMETER.

<b>PROJECT:</b>		<b>price</b> <sup>®</sup>	
		APPROVED BY: <i>BS</i>	<b>RDV EXHAUST CONTROL VALVE VARIABLE VOLUME INLET ATTENUATOR CONTROLS BOTTOM</b>
<b>ENGINEER:</b>		DRAWING NO: 278490	
<b>CUSTOMER:</b>		DATE DRAWN: 2025-05-22	
<b>SUBMITTAL DATE:</b>	<b>SPEC. SYMBOL:</b>		

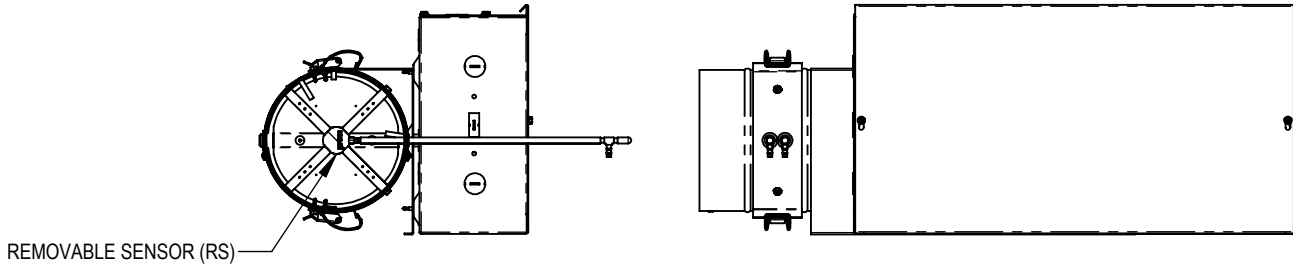
**ORF - ORIFICE RING SENSOR**



**ORIFICE RING SENSOR STANDARD CONSTRUCTION:**

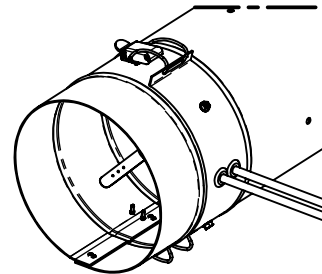
- 20GA. ZINC COATED STEEL ORIFICE RING.
- RIGHT HAND UNIT SHOWN (CRH), LEFT HAND (CLH) & CONTROLS BOTTOM (CB) AVAILABLE.
- SIZE 4 & 5 COMES WITH A REDUCER RADIUS.

**RS - REMOVABLE SENSOR**



**REMOVABLE SENSOR (RS):**

- REMOVABLE SP300 SENSOR
- RIGHT HAND UNIT SHOWN (CRH), LEFT HAND (CLH) & CONTROLS BOTTOM (CB) AVAILABLE .
- SENSOR REMOVAL SAME AS UNIT HANDING.
- SIZE 4 & 5 COMES WITH A REDUCER RADIUS.



ALL METRIC DIMENSIONS [ ] ARE SOFT CONVERTED. IMPERIAL DIMENSIONS ARE CONVERTED TO METRIC AND ROUNDED TO THE NEAREST MILLIMETER.

<b>PROJECT:</b>		<b>price</b> <sup>®</sup>	
<b>ENGINEER:</b>		APPROVED BY: <i>BS</i>	<b>RDV EXHAUST CONTROL VALVE INLET OPTION SENSOR</b>
<b>CUSTOMER:</b>		DRAWING NO: 278492	
<b>SUBMITTAL DATE:</b>	<b>SPEC. SYMBOL:</b>	DATE DRAWN: 2025-05-22	