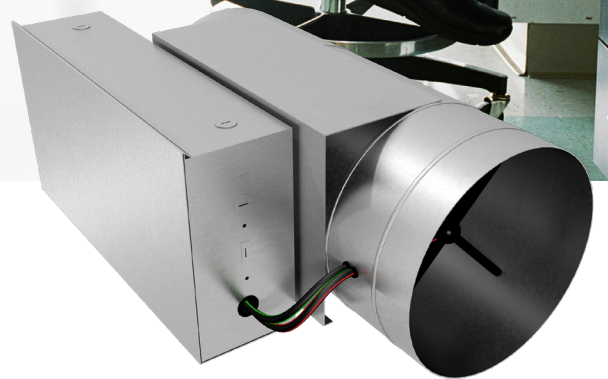


RDV

AIR VOLUME CONTROL VALVE

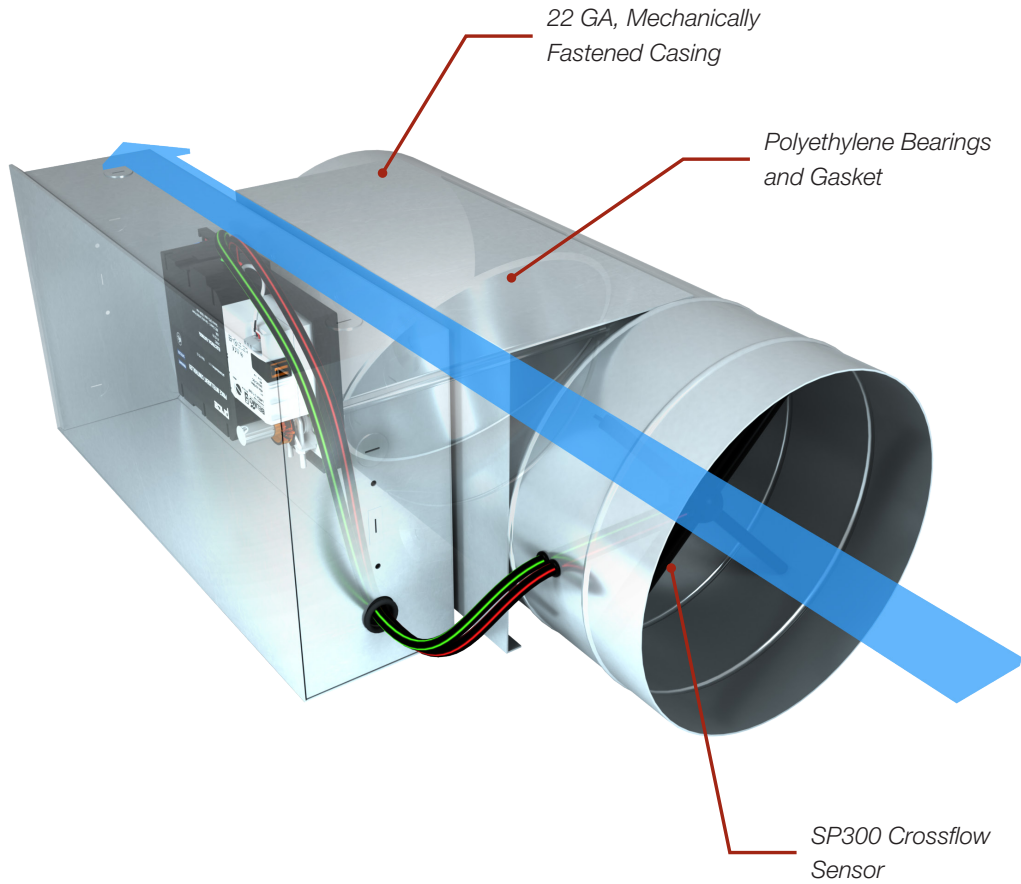


PRICE | **TERMINALS**

RDV

Air Volume Control Valve

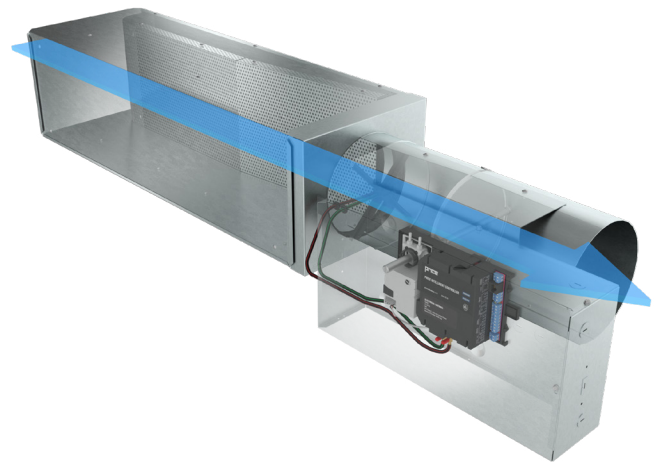
The RDV air volume control valve is used to control supply or exhaust air in VAV applications. The leak-resistant casing is fabricated with 22 gauge galvanized steel and is mechanically fastened. Stainless steel construction is available when corrosives and contaminants are present in the airstream.



SILENCER

Price offers an optional integrated terminal unit and tuned inlet silencer assembly to provide excellent sound attenuation for noise-sensitive applications.

An absorptive silencer is available with either polymer film (PL) or fiberglass cloth (FC) liner for isolation of the fiberglass media. The polymer film and fiberglass cloth liners are rated below 25/50 for flame and smoke development per ASTM E84, and meet the requirements of NFPA 90A, UL 181, UL723, ASTM C665, and ASTM C1071.



IDEAL FOR RETROFIT APPLICATIONS

For retrofit applications, the RDV can convert existing mechanical constant volume terminals to variable volume operation. Converting to a VAV, pressure-independent sequence will enhance control and reduce pressure drop when compared to a mechanical regulator. The compact round casing simplifies installation with minimal ductwork modifications.

STAINLESS STEEL CONSTRUCTION

The optional type 316 stainless steel construction provides added chemical resistance for corrosive or contaminated airstreams.

REMOVABLE SENSOR

A removable SP300 airflow sensor ensures ease of access to the sensor for periodic cleaning due to buildup of lint.

CONTROLS

Price offers a complete line of controls to best suit any application. For exceptional user comfort, the Price Intelligent Controller (PIC) universal DDC control package is available factory installed and configured on all RDV units. The PIC can be used in conjunction with any Price thermostat to match the specific needs of the customer and provide excellent energy efficiency.

ACCESSORIES

A variety of additional accessories are offered to meet specific job requirements. For information on these accessories please refer to the Terminal Units Accessories catalog.

TYPICAL APPLICATIONS

The RDV air volume control valve is designed for general exhaust applications, as well as for converting systems to variable volume operation in external retrofit applications.

For applications where corrosion and contaminants in the air stream are a concern, such as laboratory exhausts and fume-hoods, stainless steel construction is available.

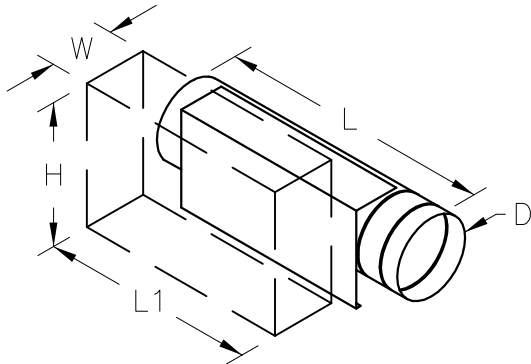
STANDARD DESIGN

- + 22 GA galvanized steel, mechanically fastened casing
- + Multipoint crossflow sensor for accurate flow measurement
- + Nylon bearings and damper gasket for contaminant resistance

OPTIONAL FEATURES

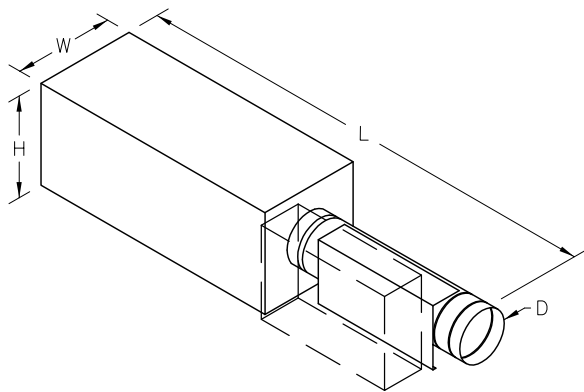
- + Stainless steel construction
- + Inlet silencer
- + Removable crossflow sensor
- + Vertical flow, up or down
- + Orifice ring flow sensor
- + Inlet extension
- + Inlet attenuator

DIMENSIONAL DATA



RDV Basic Unit

| Size | Diameter (D) | Length (L) | Enclosure Length (L1) | Width (W) | Height (H) |
|------|--------------|------------|-----------------------|-----------|------------|
| 4 | 3 7/8 in. | 25 1/4 in. | 18 1/2 in. | 4 3/4 in. | 9 1/2 in. |
| 5 | 4 7/8 in. | | | | |
| 6 | 5 7/8 in. | | | | |
| 7 | 6 7/8 in. | 21 1/4 in. | | | |
| 8 | 7 7/8 in. | | | | |
| 9 | 8 7/8 in. | | | | |
| 10 | 9 7/8 in. | | | | |
| 12 | 11 7/8 in. | | | | |
| 14 | 13 7/8 in. | | | | |
| 16 | 15 7/8 in. | | | | |



RDV w/ Absorptive Silencer

| Size | Diameter (D) | Length (L) | Width (W) | Height (H) |
|------|--------------|------------|-----------|------------|
| 6 | 5 7/8 in. | 56 in. | 20 in. | 8 in. |
| 7 | 6 7/8 in. | | | 10 in. |
| 8 | 7 7/8 in. | | 14 in. | 12 1/2 in. |
| 9 | 8 7/8 in. | | | |
| 10 | 9 7/8 in. | | | |
| 12 | 11 7/8 in. | | | |
| 14 | 13 7/8 in. | | 20 in. | 17 1/2 in. |
| 16 | 15 7/8 in. | | 24 in. | 18 in. |

PERFORMANCE DATA

RDV – Recommended Air Volume Ranges

Digital Controls*

| Unit Size | cfm Min. – Max. |
|-----------|--------------------|
| 4 | 45 - 225 |
| 5 | 60 - 350 |
| 6 | 65 - 450 |
| 7 | 95 - 650 |
| 8 | 125 - 800 |

| Unit Size | cfm Min. – Max. |
|-----------|--------------------|
| 9 | 160 - 1050 |
| 10 | 210 - 1350 |
| 12 | 300 - 2100 |
| 14 | 430 - 3000 |
| 16 | 575 - 4000 |

Notes:

Factory calibrated controls must be selected within the above flow range limits. A minimum value of zero is also available. When an auxiliary flow setting is specified, the value must be greater than the minimum setting and within the range limits.

On controls mounted by Price but supplied by others, the air volume ranges are guidelines only.

*Selection of airflow limits below the listed values is not recommended. Stability and accuracy may not be acceptable at lower than recommended airflow limits. The actual performance will vary depending on the terminal unit controls supplied.

*Minimum airflow limit is based on min .02 in. w.g. differential pressure signal from airflow sensor. Selection of airflow limits below the listed values is not recommended. Stability and accuracy may not be acceptable at lower than recommended airflow limits. The actual performance will vary depending on the terminal unit controls supplied. Maximum airflow limit is based on max 1.0 in.w.g. differential pressure signal from the airflow sensor.

RDV – Minimum Operating Pressure

| Unit Size | Airflow | Min. ΔPs |
|-----------|---------|----------|
| | cfm | in. w.g. |
| 6 | 200 | 0.04 |
| | 250 | 0.08 |
| | 350 | 0.15 |
| | 450 | 0.22 |
| 7 | 250 | 0.02 |
| | 350 | 0.06 |
| | 450 | 0.1 |
| | 550 | 0.14 |
| 8 | 650 | 0.18 |
| | 400 | 0.03 |
| | 500 | 0.05 |
| | 600 | 0.07 |
| 9 | 700 | 0.09 |
| | 800 | 0.11 |
| | 450 | 0.02 |
| | 650 | 0.04 |
| 10 | 850 | 0.07 |
| | 1050 | 0.1 |
| | 550 | 0.02 |
| | 650 | 0.04 |
| 10 | 850 | 0.07 |
| | 1150 | 0.1 |
| | 1350 | 0.13 |

| Unit Size | Airflow | Min. ΔPs |
|-----------|---------|----------|
| | cfm | in. w.g. |
| 12 | 900 | 0.01 |
| | 1300 | 0.03 |
| | 1500 | 0.04 |
| | 1700 | 0.05 |
| 14 | 1000 | 0.01 |
| | 1500 | 0.03 |
| | 2000 | 0.06 |
| | 2500 | 0.09 |
| 16 | 3000 | 0.11 |
| | 1500 | 0.01 |
| | 2000 | 0.03 |
| | 2500 | 0.06 |
| 16 | 3000 | 0.08 |
| | 3500 | 0.1 |
| | 4000 | 0.12 |

Performance Notes:

1. Test data obtained in accordance with AHRI Standard 880-2017 and ASHRAE Standard 130-2016.

PERFORMANCE DATA

RDV – Discharge Sound Data (Supply)

| Unit Size | Inlet Area | Airflow cfm | Velocity | Sound Power Levels Lw dB Re 10 ⁻¹² Watts | | | | | | | | | | | | | | | | | | | | | | | | | | | |
|-----------|------------|----------------|----------|---|----|----|----|----|----|----|-----------------------------|----|----|----|----|----|----|-----------------------------|----|----|----|----|----|----|-----------------------------|----|----|--|--|--|--|
| | | | | 0.5 in. w.g. Octave Band | | | | | | | 1.0 in. w.g. Octave Band | | | | | | | 1.5 in. w.g. Octave Band | | | | | | | 3.0 in. w.g. Octave Band | | | | | | |
| | | | | 2 | 3 | 4 | 5 | 6 | 7 | 2 | 3 | 4 | 5 | 6 | 7 | 2 | 3 | 4 | 5 | 6 | 7 | 2 | 3 | 4 | 5 | 6 | 7 | | | | |
| 6 | 0.196 | 200 | 1020 | 64 | 60 | 52 | 47 | 42 | 38 | 68 | 64 | 56 | 51 | 47 | 44 | 73 | 68 | 61 | 55 | 51 | 50 | 75 | 70 | 64 | 57 | 54 | 53 | | | | |
| | 0.196 | 250 | 1276 | 66 | 63 | 54 | 51 | 45 | 41 | 70 | 67 | 59 | 54 | 49 | 46 | 75 | 71 | 64 | 58 | 54 | 52 | 78 | 73 | 66 | 60 | 56 | 56 | | | | |
| | 0.196 | 350 | 1786 | 70 | 67 | 58 | 55 | 48 | 44 | 74 | 72 | 63 | 59 | 53 | 50 | 79 | 76 | 67 | 62 | 58 | 56 | 81 | 78 | 70 | 64 | 60 | 59 | | | | |
| | 0.196 | 450 | 2296 | 72 | 71 | 61 | 59 | 51 | 47 | 77 | 75 | 65 | 62 | 56 | 52 | 81 | 79 | 70 | 66 | 60 | 58 | 84 | 82 | 73 | 68 | 63 | 62 | | | | |
| 7 | 0.267 | 250 | 936 | 63 | 54 | 50 | 48 | 45 | 40 | 67 | 58 | 55 | 52 | 50 | 46 | 72 | 63 | 59 | 55 | 54 | 52 | 75 | 66 | 62 | 57 | 57 | 55 | | | | |
| | 0.267 | 350 | 1311 | 66 | 58 | 54 | 53 | 48 | 43 | 71 | 63 | 59 | 56 | 53 | 49 | 76 | 67 | 63 | 60 | 58 | 55 | 78 | 70 | 66 | 62 | 60 | 58 | | | | |
| | 0.267 | 450 | 1685 | 68 | 61 | 57 | 56 | 51 | 46 | 73 | 66 | 62 | 59 | 55 | 51 | 78 | 70 | 66 | 63 | 60 | 57 | 81 | 73 | 69 | 65 | 63 | 61 | | | | |
| | 0.267 | 550 | 2060 | 70 | 64 | 59 | 58 | 53 | 47 | 75 | 68 | 64 | 62 | 57 | 53 | 80 | 73 | 69 | 65 | 62 | 59 | 83 | 76 | 71 | 67 | 65 | 62 | | | | |
| | 0.267 | 650 | 2434 | 72 | 66 | 61 | 61 | 54 | 49 | 77 | 71 | 66 | 64 | 59 | 55 | 82 | 75 | 71 | 67 | 64 | 60 | 84 | 78 | 73 | 69 | 66 | 64 | | | | |
| 8 | 0.349 | 400 | 1146 | 64 | 56 | 52 | 50 | 46 | 42 | 69 | 61 | 57 | 53 | 50 | 48 | 74 | 66 | 61 | 57 | 55 | 54 | 77 | 69 | 64 | 59 | 58 | 57 | | | | |
| | 0.349 | 500 | 1433 | 67 | 59 | 55 | 53 | 48 | 43 | 72 | 64 | 60 | 57 | 53 | 50 | 76 | 69 | 64 | 60 | 57 | 56 | 79 | 72 | 67 | 62 | 60 | 59 | | | | |
| | 0.349 | 600 | 1719 | 69 | 61 | 58 | 56 | 50 | 45 | 73 | 66 | 62 | 59 | 55 | 51 | 78 | 71 | 67 | 63 | 60 | 57 | 81 | 74 | 69 | 65 | 62 | 61 | | | | |
| | 0.349 | 700 | 2006 | 70 | 63 | 60 | 58 | 52 | 46 | 75 | 68 | 64 | 62 | 57 | 52 | 80 | 73 | 69 | 65 | 61 | 58 | 83 | 76 | 71 | 67 | 64 | 62 | | | | |
| | 0.349 | 800 | 2292 | 71 | 65 | 61 | 60 | 53 | 47 | 76 | 70 | 66 | 64 | 58 | 53 | 81 | 75 | 70 | 67 | 63 | 60 | 84 | 78 | 73 | 69 | 66 | 63 | | | | |
| 9 | 0.442 | 450 | 1018 | 62 | 52 | 51 | 44 | 44 | 42 | 66 | 57 | 55 | 48 | 49 | 47 | 71 | 61 | 58 | 52 | 53 | 53 | 73 | 64 | 61 | 54 | 56 | 56 | | | | |
| | 0.442 | 650 | 1471 | 66 | 57 | 56 | 49 | 48 | 45 | 70 | 62 | 60 | 53 | 53 | 50 | 74 | 66 | 63 | 57 | 57 | 56 | 77 | 69 | 66 | 59 | 60 | 59 | | | | |
| | 0.442 | 850 | 1923 | 68 | 61 | 59 | 52 | 51 | 47 | 73 | 65 | 63 | 56 | 55 | 52 | 77 | 70 | 67 | 60 | 60 | 58 | 80 | 72 | 69 | 62 | 62 | 61 | | | | |
| | 0.442 | 1050 | 2376 | 71 | 64 | 62 | 54 | 53 | 49 | 75 | 68 | 66 | 58 | 57 | 54 | 79 | 73 | 70 | 63 | 62 | 60 | 82 | 75 | 72 | 65 | 65 | 63 | | | | |
| 10 | 0.545 | 550 | 1009 | 63 | 55 | 50 | 44 | 46 | 46 | 68 | 59 | 54 | 48 | 51 | 52 | 72 | 64 | 58 | 53 | 55 | 58 | 75 | 66 | 60 | 55 | 57 | 61 | | | | |
| | 0.545 | 750 | 1376 | 66 | 59 | 54 | 47 | 49 | 48 | 71 | 64 | 58 | 52 | 54 | 54 | 75 | 68 | 62 | 56 | 58 | 60 | 78 | 71 | 65 | 59 | 60 | 63 | | | | |
| | 0.545 | 950 | 1743 | 69 | 62 | 58 | 50 | 52 | 49 | 73 | 67 | 62 | 55 | 56 | 55 | 77 | 71 | 66 | 59 | 60 | 61 | 80 | 74 | 68 | 62 | 63 | 65 | | | | |
| | 0.545 | 1150 | 2110 | 71 | 65 | 60 | 53 | 54 | 51 | 75 | 70 | 64 | 57 | 58 | 56 | 79 | 74 | 68 | 62 | 62 | 62 | 82 | 77 | 70 | 64 | 65 | 66 | | | | |
| | 0.545 | 1350 | 2477 | 72 | 67 | 63 | 55 | 55 | 51 | 77 | 72 | 66 | 59 | 60 | 57 | 81 | 76 | 70 | 63 | 64 | 63 | 84 | 79 | 73 | 66 | 66 | 67 | | | | |
| 12 | 0.785 | 900 | 1146 | 63 | 54 | 52 | 47 | 46 | 44 | 68 | 59 | 56 | 51 | 50 | 50 | 72 | 63 | 59 | 55 | 55 | 56 | 75 | 66 | 61 | 57 | 58 | 60 | | | | |
| | 0.785 | 1300 | 1656 | 68 | 58 | 57 | 52 | 50 | 47 | 72 | 63 | 61 | 56 | 54 | 53 | 76 | 68 | 64 | 60 | 59 | 59 | 79 | 71 | 66 | 62 | 62 | 63 | | | | |
| | 0.785 | 1500 | 1911 | 69 | 60 | 59 | 54 | 51 | 48 | 74 | 65 | 63 | 58 | 56 | 54 | 78 | 70 | 66 | 62 | 61 | 60 | 81 | 72 | 69 | 64 | 64 | 64 | | | | |
| | 0.785 | 1700 | 2166 | 71 | 62 | 61 | 55 | 53 | 49 | 75 | 66 | 64 | 60 | 58 | 55 | 80 | 71 | 68 | 64 | 62 | 61 | 82 | 74 | 70 | 66 | 65 | 65 | | | | |
| | 0.785 | 2100 | 2675 | 73 | 64 | 64 | 58 | 55 | 51 | 78 | 69 | 67 | 62 | 60 | 57 | 82 | 74 | 71 | 66 | 65 | 63 | 85 | 77 | 73 | 69 | 67 | 66 | | | | |
| 14 | 1.069 | 1000 | 935 | 58 | 51 | 49 | 45 | 45 | 44 | 63 | 56 | 53 | 49 | 50 | 49 | 67 | 60 | 57 | 54 | 55 | 54 | 70 | 63 | 59 | 56 | 58 | 57 | | | | |
| | 1.069 | 1500 | 1403 | 63 | 56 | 55 | 50 | 49 | 47 | 68 | 60 | 59 | 54 | 54 | 52 | 72 | 65 | 63 | 59 | 59 | 57 | 75 | 68 | 65 | 61 | 62 | 60 | | | | |
| | 1.069 | 2000 | 1871 | 67 | 59 | 59 | 54 | 52 | 49 | 71 | 64 | 63 | 58 | 57 | 54 | 76 | 69 | 67 | 62 | 62 | 59 | 79 | 72 | 69 | 65 | 65 | 62 | | | | |
| | 1.069 | 2500 | 2339 | 70 | 62 | 62 | 56 | 54 | 51 | 74 | 67 | 66 | 61 | 60 | 56 | 79 | 71 | 70 | 65 | 65 | 61 | 81 | 74 | 72 | 68 | 68 | 64 | | | | |
| | 1.069 | 3000 | 2806 | 72 | 64 | 64 | 59 | 56 | 52 | 76 | 69 | 68 | 63 | 61 | 57 | 81 | 74 | 72 | 67 | 67 | 62 | 84 | 76 | 75 | 70 | 69 | 66 | | | | |
| 16 | 1.396 | 1500 | 1074 | 59 | 53 | 51 | 47 | 49 | 47 | 64 | 58 | 55 | 52 | 54 | 52 | 68 | 62 | 59 | 57 | 59 | 57 | 71 | 65 | 62 | 60 | 62 | 59 | | | | |
| | 1.396 | 2000 | 1433 | 63 | 57 | 55 | 50 | 51 | 49 | 67 | 61 | 59 | 55 | 56 | 54 | 72 | 66 | 63 | 60 | 61 | 58 | 74 | 69 | 66 | 63 | 64 | 61 | | | | |
| | 1.396 | 2500 | 1791 | 66 | 60 | 58 | 53 | 53 | 50 | 70 | 64 | 62 | 58 | 58 | 55 | 74 | 69 | 66 | 63 | 63 | 60 | 77 | 72 | 69 | 66 | 66 | 63 | | | | |
| | 1.396 | 3000 | 2149 | 68 | 62 | 61 | 55 | 55 | 51 | 72 | 67 | 65 | 60 | 60 | 56 | 77 | 71 | 69 | 65 | 65 | 61 | 79 | 74 | 71 | 68 | 68 | 64 | | | | |
| | 1.396 | 3500 | 2507 | 70 | 64 | 63 | 56 | 56 | 52 | 74 | 68 | 67 | 62 | 61 | 57 | 79 | 73 | 71 | 67 | 66 | 62 | 81 | 76 | 73 | 70 | 69 | 65 | | | | |
| | 1.396 | 4000 | 2865 | 71 | 66 | 65 | 58 | 57 | 53 | 76 | 70 | 69 | 63 | 62 | 58 | 80 | 75 | 73 | 68 | 67 | 63 | 83 | 78 | 75 | 71 | 70 | 65 | | | | |

Performance Notes:

1. Test data obtained in accordance with AHRI Standard 880-2017 and ASHRAE Standard 130-2016.
2. Sound power levels include duct end corrections per AHRI Standard 880-2017.

PERFORMANCE DATA

RDV – Inlet Sound Data (Exhaust)

| Unit Size | Airflow cfm | Sound Power Levels Lw dB Re 10 ⁻¹² Watts | | | | | | | | | | | | | | | | | | | | | | | | | | | |
|-----------|----------------|---|----|----|----|----|----|-----------------------------|----|----|----|----|----|-----------------------------|----|----|----|----|----|-----------------------------|----|----|----|----|----|--|--|--|--|
| | | 0.5 in. w.g. Octave Band | | | | | | 1.0 in. w.g. Octave Band | | | | | | 1.5 in. w.g. Octave Band | | | | | | 3.0 in. w.g. Octave Band | | | | | | | | | |
| | | 2 | 3 | 4 | 5 | 6 | 7 | 2 | 3 | 4 | 5 | 6 | 7 | 2 | 3 | 4 | 5 | 6 | 7 | 2 | 3 | 4 | 5 | 6 | 7 | | | | |
| 6 | 200 | 67 | 61 | 53 | 50 | 44 | 40 | 71 | 64 | 57 | 52 | 47 | 44 | 73 | 66 | 59 | 54 | 50 | 47 | 77 | 70 | 63 | 57 | 53 | 51 | | | | |
| | 250 | 70 | 64 | 56 | 53 | 46 | 42 | 74 | 68 | 60 | 55 | 50 | 47 | 76 | 70 | 62 | 57 | 52 | 49 | 80 | 73 | 66 | 59 | 56 | 54 | | | | |
| | 350 | 74 | 69 | 60 | 57 | 50 | 46 | 78 | 72 | 64 | 60 | 54 | 50 | 80 | 74 | 66 | 61 | 56 | 53 | 84 | 78 | 70 | 64 | 60 | 57 | | | | |
| | 450 | 77 | 72 | 63 | 60 | 53 | 49 | 81 | 76 | 67 | 63 | 56 | 53 | 83 | 78 | 69 | 64 | 59 | 56 | 87 | 81 | 73 | 67 | 62 | 60 | | | | |
| 7 | 250 | 67 | 60 | 52 | 49 | 43 | 38 | 70 | 64 | 56 | 52 | 47 | 44 | 73 | 66 | 58 | 54 | 50 | 47 | 76 | 70 | 62 | 57 | 55 | 52 | | | | |
| | 350 | 71 | 64 | 56 | 53 | 47 | 42 | 74 | 68 | 60 | 56 | 51 | 47 | 77 | 70 | 62 | 58 | 54 | 51 | 80 | 74 | 66 | 61 | 58 | 56 | | | | |
| | 450 | 74 | 67 | 59 | 56 | 49 | 45 | 78 | 71 | 63 | 59 | 54 | 50 | 80 | 73 | 65 | 61 | 56 | 53 | 83 | 77 | 69 | 64 | 61 | 59 | | | | |
| | 550 | 76 | 69 | 62 | 58 | 51 | 47 | 80 | 73 | 66 | 62 | 56 | 52 | 82 | 76 | 68 | 63 | 59 | 56 | 86 | 80 | 72 | 67 | 63 | 61 | | | | |
| 650 | 78 | 71 | 64 | 60 | 53 | 49 | 82 | 75 | 68 | 64 | 58 | 54 | 84 | 78 | 70 | 65 | 60 | 57 | 88 | 82 | 74 | 69 | 65 | 63 | | | | | |
| 8 | 400 | 70 | 62 | 56 | 52 | 46 | 41 | 73 | 66 | 60 | 56 | 51 | 47 | 75 | 68 | 62 | 58 | 54 | 51 | 79 | 73 | 66 | 61 | 58 | 56 | | | | |
| | 500 | 72 | 64 | 58 | 55 | 49 | 44 | 76 | 69 | 62 | 58 | 53 | 50 | 78 | 71 | 65 | 60 | 56 | 53 | 82 | 75 | 69 | 64 | 61 | 59 | | | | |
| | 600 | 75 | 67 | 61 | 57 | 51 | 46 | 78 | 71 | 65 | 61 | 55 | 52 | 80 | 73 | 67 | 62 | 58 | 55 | 84 | 78 | 71 | 66 | 63 | 61 | | | | |
| | 700 | 77 | 68 | 62 | 59 | 52 | 47 | 80 | 73 | 66 | 62 | 57 | 53 | 82 | 75 | 69 | 64 | 60 | 57 | 86 | 79 | 73 | 68 | 65 | 63 | | | | |
| 800 | 78 | 70 | 64 | 61 | 54 | 49 | 82 | 74 | 68 | 64 | 59 | 55 | 84 | 77 | 70 | 66 | 61 | 58 | 88 | 81 | 74 | 69 | 66 | 64 | | | | | |
| 9 | 450 | 67 | 60 | 55 | 49 | 45 | 41 | 71 | 64 | 59 | 53 | 50 | 46 | 73 | 66 | 61 | 55 | 53 | 49 | 77 | 70 | 65 | 58 | 57 | 55 | | | | |
| | 650 | 72 | 64 | 60 | 54 | 49 | 45 | 75 | 68 | 63 | 57 | 54 | 50 | 78 | 71 | 66 | 59 | 57 | 53 | 81 | 75 | 70 | 62 | 61 | 59 | | | | |
| | 850 | 75 | 68 | 63 | 57 | 52 | 47 | 79 | 72 | 67 | 60 | 57 | 53 | 81 | 74 | 69 | 62 | 60 | 56 | 85 | 78 | 73 | 66 | 64 | 61 | | | | |
| | 1050 | 78 | 70 | 65 | 60 | 55 | 50 | 81 | 74 | 69 | 63 | 59 | 55 | 83 | 76 | 72 | 65 | 62 | 58 | 87 | 80 | 75 | 68 | 66 | 64 | | | | |
| 10 | 550 | 66 | 60 | 55 | 48 | 45 | 40 | 70 | 64 | 58 | 52 | 50 | 46 | 72 | 67 | 61 | 55 | 53 | 49 | 76 | 71 | 64 | 59 | 58 | 55 | | | | |
| | 750 | 70 | 64 | 59 | 52 | 48 | 43 | 74 | 68 | 62 | 56 | 53 | 49 | 76 | 70 | 65 | 58 | 56 | 53 | 80 | 74 | 68 | 62 | 61 | 58 | | | | |
| | 950 | 73 | 66 | 62 | 54 | 51 | 46 | 77 | 70 | 65 | 58 | 56 | 52 | 79 | 73 | 68 | 61 | 59 | 55 | 83 | 77 | 71 | 65 | 64 | 61 | | | | |
| | 1150 | 75 | 68 | 64 | 57 | 53 | 48 | 79 | 73 | 68 | 61 | 58 | 54 | 81 | 75 | 70 | 63 | 61 | 57 | 85 | 79 | 74 | 67 | 66 | 63 | | | | |
| 1350 | 77 | 70 | 66 | 58 | 55 | 49 | 81 | 74 | 70 | 63 | 60 | 55 | 83 | 77 | 72 | 65 | 62 | 59 | 87 | 81 | 76 | 69 | 67 | 65 | | | | | |
| 12 | 900 | 67 | 60 | 56 | 50 | 48 | 44 | 71 | 64 | 59 | 53 | 52 | 49 | 74 | 66 | 61 | 56 | 55 | 52 | 78 | 71 | 64 | 59 | 59 | 57 | | | | |
| | 1300 | 72 | 64 | 61 | 54 | 52 | 48 | 76 | 68 | 64 | 58 | 56 | 53 | 78 | 71 | 66 | 60 | 59 | 56 | 82 | 75 | 69 | 64 | 63 | 61 | | | | |
| | 1500 | 73 | 66 | 63 | 56 | 54 | 50 | 77 | 70 | 66 | 60 | 58 | 55 | 80 | 72 | 68 | 62 | 60 | 57 | 84 | 76 | 71 | 66 | 65 | 62 | | | | |
| | 1700 | 75 | 67 | 65 | 58 | 55 | 51 | 79 | 71 | 68 | 61 | 59 | 56 | 81 | 74 | 70 | 63 | 62 | 59 | 85 | 78 | 73 | 67 | 66 | 64 | | | | |
| 2100 | 78 | 69 | 67 | 60 | 57 | 54 | 82 | 74 | 71 | 64 | 62 | 58 | 84 | 76 | 72 | 66 | 64 | 61 | 88 | 80 | 76 | 70 | 68 | 66 | | | | | |
| 14 | 1000 | 62 | 55 | 51 | 49 | 50 | 45 | 66 | 59 | 54 | 53 | 54 | 50 | 69 | 62 | 55 | 54 | 57 | 53 | 73 | 66 | 58 | 58 | 61 | 58 | | | | |
| | 1500 | 67 | 60 | 58 | 55 | 54 | 49 | 71 | 64 | 60 | 58 | 59 | 54 | 74 | 67 | 62 | 60 | 61 | 57 | 77 | 71 | 64 | 63 | 65 | 62 | | | | |
| | 2000 | 71 | 64 | 62 | 58 | 57 | 52 | 75 | 68 | 65 | 61 | 62 | 57 | 77 | 71 | 66 | 63 | 64 | 60 | 81 | 75 | 69 | 66 | 68 | 64 | | | | |
| | 2500 | 74 | 67 | 66 | 61 | 60 | 54 | 78 | 71 | 68 | 64 | 64 | 59 | 80 | 74 | 70 | 66 | 66 | 62 | 84 | 78 | 72 | 69 | 71 | 67 | | | | |
| 3000 | 76 | 70 | 69 | 63 | 62 | 56 | 80 | 74 | 71 | 67 | 66 | 61 | 82 | 76 | 73 | 68 | 68 | 64 | 86 | 80 | 75 | 72 | 73 | 68 | | | | | |
| 16 | 1500 | 63 | 57 | 54 | 50 | 48 | 46 | 68 | 62 | 57 | 53 | 52 | 51 | 70 | 64 | 59 | 55 | 54 | 53 | 75 | 68 | 62 | 58 | 57 | 57 | | | | |
| | 2000 | 67 | 61 | 59 | 53 | 52 | 49 | 71 | 65 | 61 | 57 | 55 | 53 | 74 | 68 | 63 | 59 | 57 | 56 | 78 | 72 | 66 | 62 | 61 | 60 | | | | |
| | 2500 | 69 | 64 | 62 | 56 | 55 | 51 | 74 | 68 | 65 | 60 | 58 | 55 | 77 | 70 | 66 | 61 | 60 | 58 | 81 | 75 | 69 | 65 | 64 | 62 | | | | |
| | 3000 | 72 | 66 | 64 | 59 | 57 | 53 | 76 | 70 | 67 | 62 | 60 | 57 | 79 | 73 | 69 | 64 | 62 | 60 | 83 | 77 | 72 | 67 | 66 | 64 | | | | |
| 3500 | 74 | 68 | 67 | 61 | 59 | 54 | 78 | 72 | 70 | 64 | 62 | 58 | 81 | 74 | 71 | 66 | 64 | 61 | 85 | 79 | 74 | 69 | 68 | 65 | | | | | |
| 4000 | 75 | 69 | 69 | 62 | 60 | 55 | 80 | 74 | 72 | 66 | 64 | 60 | 82 | 76 | 73 | 68 | 66 | 62 | 87 | 80 | 76 | 71 | 69 | 66 | | | | | |

Performance Notes:

1. Test data obtained in accordance with AHRI Standard 880-2017 and ASHRAE Standard 130-2016.
2. Sound power levels include duct end corrections per AHRI Standard 880-2017.
3. Asterisks (*) indicate minimum static pressure of the unit exceeds the minimum operating pressure across the unit.

PERFORMANCE DATA

RDV – Radiated Sound Data

| Unit Size | Airflow cfm | Sound Power Levels Lw dB Re 10 ⁻¹² Watts | | | | | | | | | | | | | | | | | | | | | | | |
|-----------|----------------|---|----|----|----|----|----|-----------------------------|----|----|----|----|----|-----------------------------|----|----|----|----|----|-----------------------------|----|----|----|----|----|
| | | 0.5 in. w.g. Octave Band | | | | | | 1.0 in. w.g. Octave Band | | | | | | 2.0 in. w.g. Octave Band | | | | | | 3.0 in. w.g. Octave Band | | | | | |
| | | 2 | 3 | 4 | 5 | 6 | 7 | 2 | 3 | 4 | 5 | 6 | 7 | 2 | 3 | 4 | 5 | 6 | 7 | 2 | 3 | 4 | 5 | 6 | 7 |
| 6 | 200 | 38 | 33 | 32 | 33 | 31 | 28 | 42 | 35 | 36 | 37 | 37 | 35 | 46 | 38 | 40 | 41 | 43 | 42 | 48 | 40 | 42 | 44 | 47 | 46 |
| | 250 | 39 | 34 | 35 | 35 | 32 | 29 | 43 | 37 | 39 | 39 | 38 | 36 | 47 | 40 | 42 | 43 | 45 | 43 | 49 | 42 | 45 | 46 | 48 | 47 |
| | 350 | 40 | 37 | 38 | 38 | 34 | 31 | 44 | 40 | 42 | 42 | 40 | 38 | 48 | 43 | 46 | 46 | 47 | 44 | 50 | 45 | 48 | 49 | 50 | 48 |
| | 450 | 41 | 40 | 40 | 40 | 36 | 32 | 45 | 42 | 44 | 44 | 42 | 39 | 49 | 45 | 48 | 48 | 48 | 46 | 51 | 47 | 50 | 51 | 52 | 50 |
| 7 | 250 | 28 | 28 | 31 | 33 | 32 | 28 | 35 | 31 | 34 | 36 | 37 | 35 | 42 | 35 | 38 | 39 | 42 | 42 | 46 | 37 | 40 | 41 | 45 | 46 |
| | 350 | 31 | 32 | 35 | 37 | 34 | 30 | 38 | 36 | 39 | 39 | 39 | 37 | 45 | 39 | 43 | 42 | 45 | 44 | 49 | 41 | 45 | 44 | 47 | 48 |
| | 450 | 34 | 35 | 39 | 39 | 36 | 31 | 41 | 39 | 42 | 42 | 41 | 38 | 48 | 43 | 46 | 45 | 46 | 45 | 52 | 45 | 48 | 47 | 49 | 49 |
| | 550 | 36 | 38 | 41 | 41 | 38 | 32 | 43 | 41 | 45 | 44 | 43 | 39 | 50 | 45 | 48 | 47 | 48 | 46 | 54 | 47 | 51 | 49 | 51 | 51 |
| 650 | 38 | 40 | 43 | 43 | 39 | 33 | 45 | 44 | 47 | 46 | 44 | 40 | 52 | 47 | 51 | 49 | 49 | 47 | 56 | 49 | 53 | 50 | 52 | 52 | |
| 8 | 400 | 37 | 30 | 36 | 33 | 34 | 29 | 42 | 35 | 39 | 37 | 40 | 36 | 47 | 39 | 43 | 41 | 46 | 44 | 50 | 42 | 45 | 43 | 50 | 48 |
| | 500 | 39 | 33 | 38 | 35 | 35 | 30 | 44 | 37 | 42 | 39 | 42 | 38 | 49 | 42 | 46 | 43 | 48 | 45 | 52 | 44 | 48 | 45 | 52 | 50 |
| | 600 | 40 | 35 | 40 | 37 | 37 | 31 | 45 | 39 | 44 | 41 | 43 | 39 | 50 | 44 | 48 | 45 | 50 | 46 | 53 | 46 | 50 | 47 | 53 | 51 |
| | 700 | 42 | 36 | 42 | 39 | 38 | 32 | 46 | 41 | 46 | 43 | 44 | 40 | 51 | 45 | 50 | 46 | 51 | 47 | 54 | 48 | 52 | 49 | 54 | 52 |
| 800 | 43 | 38 | 44 | 40 | 39 | 33 | 47 | 42 | 48 | 44 | 45 | 41 | 52 | 47 | 51 | 48 | 52 | 48 | 55 | 49 | 54 | 50 | 56 | 53 | |
| 9 | 450 | 39 | 30 | 36 | 35 | 34 | 30 | 41 | 33 | 38 | 38 | 39 | 38 | 43 | 35 | 40 | 41 | 45 | 45 | 45 | 37 | 42 | 43 | 49 | 49 |
| | 650 | 43 | 36 | 41 | 38 | 36 | 32 | 45 | 38 | 43 | 41 | 42 | 39 | 47 | 41 | 46 | 45 | 48 | 47 | 49 | 42 | 47 | 46 | 51 | 51 |
| | 850 | 46 | 39 | 45 | 41 | 38 | 33 | 48 | 42 | 47 | 44 | 44 | 40 | 50 | 44 | 49 | 47 | 49 | 48 | 52 | 46 | 51 | 49 | 53 | 52 |
| | 1050 | 48 | 42 | 48 | 43 | 39 | 34 | 50 | 45 | 50 | 46 | 45 | 41 | 53 | 47 | 52 | 49 | 51 | 49 | 54 | 49 | 54 | 51 | 54 | 53 |
| 10 | 550 | 41 | 33 | 36 | 36 | 36 | 30 | 44 | 36 | 40 | 40 | 41 | 37 | 47 | 38 | 43 | 44 | 47 | 44 | 49 | 40 | 45 | 47 | 51 | 48 |
| | 750 | 43 | 37 | 40 | 38 | 38 | 32 | 46 | 40 | 43 | 43 | 44 | 39 | 49 | 42 | 47 | 47 | 50 | 46 | 51 | 44 | 49 | 50 | 54 | 50 |
| | 950 | 44 | 40 | 43 | 40 | 40 | 33 | 47 | 43 | 46 | 45 | 46 | 40 | 50 | 46 | 50 | 49 | 52 | 49 | 52 | 47 | 52 | 52 | 56 | 52 |
| | 1150 | 45 | 43 | 45 | 42 | 42 | 34 | 48 | 45 | 48 | 47 | 48 | 42 | 51 | 48 | 52 | 51 | 54 | 49 | 53 | 50 | 54 | 54 | 57 | 53 |
| 1350 | 46 | 45 | 47 | 44 | 43 | 35 | 49 | 48 | 50 | 48 | 49 | 43 | 52 | 50 | 54 | 52 | 55 | 50 | 54 | 52 | 56 | 55 | 59 | 54 | |
| 12 | 900 | 38 | 37 | 35 | 33 | 32 | 29 | 43 | 39 | 39 | 37 | 38 | 36 | 47 | 41 | 42 | 41 | 44 | 44 | 50 | 42 | 44 | 44 | 48 | 48 |
| | 1300 | 41 | 41 | 40 | 37 | 35 | 32 | 45 | 43 | 43 | 41 | 41 | 39 | 50 | 45 | 47 | 46 | 47 | 46 | 52 | 47 | 49 | 48 | 51 | 50 |
| | 1700 | 43 | 44 | 44 | 40 | 38 | 34 | 47 | 46 | 47 | 44 | 44 | 41 | 52 | 48 | 50 | 49 | 50 | 48 | 54 | 50 | 52 | 51 | 53 | 52 |
| | 1900 | 44 | 46 | 45 | 41 | 39 | 35 | 48 | 48 | 49 | 45 | 45 | 42 | 53 | 50 | 52 | 50 | 51 | 49 | 55 | 51 | 54 | 52 | 54 | 53 |
| 2100 | 45 | 47 | 47 | 42 | 40 | 36 | 49 | 49 | 50 | 47 | 46 | 43 | 53 | 51 | 53 | 51 | 52 | 50 | 56 | 52 | 55 | 53 | 55 | 54 | |
| 14 | 1000 | 40 | 34 | 38 | 36 | 35 | 32 | 43 | 39 | 43 | 42 | 41 | 38 | 46 | 44 | 47 | 47 | 46 | 45 | 48 | 47 | 50 | 50 | 50 | 49 |
| | 1500 | 44 | 38 | 42 | 40 | 38 | 34 | 48 | 43 | 47 | 45 | 44 | 41 | 51 | 48 | 51 | 51 | 50 | 48 | 53 | 50 | 54 | 54 | 53 | 52 |
| | 2000 | 47 | 41 | 45 | 42 | 40 | 36 | 51 | 46 | 50 | 48 | 46 | 43 | 54 | 50 | 54 | 53 | 52 | 49 | 56 | 53 | 57 | 56 | 55 | 53 |
| | 2500 | 50 | 43 | 47 | 44 | 41 | 38 | 53 | 48 | 52 | 50 | 47 | 44 | 56 | 53 | 56 | 55 | 53 | 51 | 58 | 55 | 59 | 58 | 57 | 55 |
| 3000 | 52 | 45 | 49 | 46 | 43 | 39 | 55 | 50 | 54 | 51 | 49 | 45 | 59 | 54 | 58 | 57 | 55 | 52 | 60 | 57 | 61 | 60 | 58 | 56 | |
| 16 | 1500 | 41 | 37 | 40 | 40 | 39 | 36 | 44 | 42 | 45 | 44 | 44 | 42 | 48 | 48 | 50 | 48 | 49 | 48 | 50 | 51 | 52 | 51 | 53 | 52 |
| | 2000 | 44 | 40 | 44 | 42 | 42 | 38 | 48 | 45 | 49 | 47 | 47 | 44 | 52 | 51 | 53 | 51 | 52 | 50 | 54 | 54 | 56 | 54 | 55 | 54 |
| | 2500 | 47 | 43 | 47 | 45 | 44 | 39 | 51 | 48 | 51 | 49 | 49 | 45 | 54 | 53 | 56 | 53 | 54 | 52 | 56 | 56 | 59 | 56 | 57 | 55 |
| | 3000 | 49 | 45 | 49 | 46 | 45 | 40 | 53 | 50 | 54 | 51 | 50 | 47 | 57 | 55 | 58 | 55 | 55 | 53 | 59 | 58 | 61 | 58 | 58 | 57 |
| 3500 | 51 | 46 | 51 | 48 | 46 | 41 | 55 | 51 | 56 | 52 | 52 | 48 | 58 | 56 | 60 | 57 | 57 | 54 | 61 | 59 | 63 | 59 | 60 | 58 | |
| 4000 | 53 | 48 | 53 | 49 | 48 | 42 | 57 | 53 | 57 | 54 | 53 | 49 | 60 | 58 | 62 | 58 | 58 | 55 | 62 | 61 | 65 | 60 | 61 | 59 | |

Performance Notes:

1. Test data obtained in accordance with AHRI Standard 880-2017 and ASHRAE Standard 130-2016.
2. Sound power levels include duct end corrections per AHRI Standard 880-2017.

PERFORMANCE DATA

RDV with Absorptive Silencer – Recommended Air Volume Ranges

Digital Controls*

| Unit Size | RDV w/ Absorptive Silencer | |
|-----------|----------------------------|--|
| | cfm | |
| | Min. – Max. | |
| 6 | 80 – 380 | |
| 7 | 110 – 600 | |
| 8 | 160 – 800 | |
| 9 | 200 – 1000 | |
| 10 | 270 – 1350 | |

| Unit Size | RDV w/ Absorptive Silencer | |
|-----------|----------------------------|--|
| | cfm | |
| | Min. – Max. | |
| 12 | 350 – 2100 | |
| 14 | 500 – 3000 | |
| 16 | 650 – 4000 | |

Notes:

Factory calibrated controls must be selected within the above flow range limits. A minimum value of zero is also available. When an auxiliary flow setting is specified, the value must be greater than the minimum setting and within the range limits. On controls mounted by Price but supplied by others, the air volume ranges are guidelines only.

* Selection of airflow limits below the listed values is not

recommended. Stability and accuracy may not be acceptable at lower than recommended airflow limits. The actual performance will vary depending on the terminal unit controls supplied.

*Minimum airflow limit is based on min .02 in. w.g. differential pressure signal from airflow sensor. Selection of airflow limits below the listed values is not recommended. Stabil-

ity and accuracy may not be acceptable at lower than recommended airflow limits. The actual performance will vary depending on the terminal unit controls supplied. Maximum airflow limit is based on max 1.0 in.w.g. differential pressure signal from the airflow sensor .

RDV with Inlet Silencer

Absorptive

| Unit Size | Airflow | Min. ΔPs |
|-----------|---------|----------|
| | cfm | in. w.g. |
| 6 | 200 | 0.07 |
| | 250 | 0.11 |
| | 350 | 0.2 |
| | 450 | 0.31 |
| 7 | 250 | 0.05 |
| | 350 | 0.08 |
| | 450 | 0.13 |
| | 550 | 0.19 |
| 8 | 650 | 0.25 |
| | 400 | 0.05 |
| | 500 | 0.08 |
| | 600 | 0.11 |
| 8 | 700 | 0.14 |
| | 800 | 0.18 |

| Unit Size | Airflow | Min. ΔPs |
|-----------|---------|----------|
| | cfm | in. w.g. |
| 9 | 450 | 0.03 |
| | 650 | 0.07 |
| | 850 | 0.11 |
| | 1050 | 0.16 |
| | 550 | 0.02 |
| 10 | 750 | 0.04 |
| | 950 | 0.07 |
| | 1150 | 0.11 |
| | 1350 | 0.15 |
| 12 | 900 | 0.02 |
| | 1300 | 0.05 |
| | 1500 | 0.07 |
| | 1700 | 0.09 |
| | 2100 | 0.13 |

| Unit Size | Airflow | Min. ΔPs |
|-----------|---------|----------|
| | cfm | in. w.g. |
| 14 | 1000 | 0.02 |
| | 1500 | 0.04 |
| | 2000 | 0.07 |
| | 2500 | 0.11 |
| | 3000 | 0.16 |
| 16 | 1500 | 0.01 |
| | 2000 | 0.02 |
| | 2500 | 0.04 |
| | 3000 | 0.06 |
| | 3500 | 0.09 |
| 4000 | 0.13 | |

Performance Notes:

1. Test data obtained in accordance with AHRI Standard 880-2017 and ASHRAE Standard 130-2016.

PERFORMANCE DATA

RDV with Inlet Silencer

Fiber Glass Silencer (Exhaust)

| Unit Size | Airflow cfm | Sound Power Levels Lw dB Re 10 ⁻¹² Watts | | | | | | | | | | | | | | | | | | | | | | | |
|-----------|----------------|---|----|----|----|----|----|-----------------------------|----|----|----|----|----|-----------------------------|----|----|----|----|----|-----------------------------|----|----|----|----|----|
| | | 0.5 in. w.g. Octave Band | | | | | | 1.0 in. w.g. Octave Band | | | | | | 1.5 in. w.g. Octave Band | | | | | | 3.0 in. w.g. Octave Band | | | | | |
| | | 2 | 3 | 4 | 5 | 6 | 7 | 2 | 3 | 4 | 5 | 6 | 7 | 2 | 3 | 4 | 5 | 6 | 7 | 2 | 3 | 4 | 5 | 6 | 7 |
| 6 | 200 | 54 | 39 | 28 | 23 | 19 | 17 | 57 | 43 | 27 | 22 | 19 | 22 | 59 | 45 | 27 | 21 | 19 | 24 | 62 | 49 | 27 | 22 | 19 | 28 |
| | 250 | 56 | 42 | 33 | 29 | 22 | 23 | 59 | 46 | 32 | 28 | 21 | 26 | 61 | 49 | 32 | 27 | 21 | 28 | 64 | 53 | 31 | 25 | 20 | 31 |
| | 350 | 59 | 47 | 40 | 38 | 33 | 28 | 62 | 51 | 39 | 37 | 32 | 32 | 64 | 54 | 39 | 36 | 32 | 34 | 67 | 58 | 38 | 34 | 31 | 37 |
| | 450 | 61 | 51 | 45 | 45 | 42 | 33 | 64 | 55 | 44 | 43 | 41 | 36 | 66 | 57 | 44 | 42 | 40 | 38 | 69 | 61 | 43 | 41 | 40 | 41 |
| 7 | 250 | 53 | 39 | 25 | 21 | 19 | 17 | 58 | 43 | 26 | 21 | 19 | 22 | 60 | 45 | 27 | 21 | 19 | 24 | 64 | 49 | 28 | 21 | 19 | 28 |
| | 350 | 57 | 43 | 32 | 29 | 23 | 24 | 61 | 47 | 33 | 29 | 25 | 28 | 64 | 49 | 33 | 29 | 26 | 30 | 68 | 53 | 34 | 29 | 27 | 34 |
| | 450 | 59 | 47 | 37 | 36 | 30 | 29 | 64 | 50 | 38 | 35 | 31 | 32 | 66 | 53 | 38 | 35 | 32 | 35 | 70 | 57 | 39 | 35 | 34 | 39 |
| | 550 | 62 | 49 | 41 | 40 | 35 | 32 | 66 | 53 | 42 | 40 | 36 | 36 | 68 | 55 | 43 | 40 | 37 | 38 | 73 | 59 | 43 | 40 | 39 | 42 |
| 600 | 62 | 50 | 43 | 43 | 37 | 34 | 67 | 54 | 44 | 43 | 39 | 38 | 69 | 57 | 44 | 42 | 40 | 40 | 73 | 61 | 45 | 42 | 41 | 44 | |
| 8 | 400 | 59 | 40 | 30 | 27 | 19 | 23 | 64 | 44 | 32 | 28 | 21 | 26 | 66 | 46 | 32 | 28 | 23 | 28 | 71 | 50 | 34 | 28 | 24 | 32 |
| | 500 | 61 | 43 | 35 | 32 | 26 | 27 | 65 | 47 | 36 | 33 | 28 | 31 | 68 | 49 | 37 | 33 | 29 | 33 | 73 | 53 | 38 | 33 | 31 | 37 |
| | 600 | 62 | 46 | 38 | 37 | 31 | 31 | 67 | 50 | 40 | 37 | 33 | 34 | 70 | 52 | 41 | 37 | 34 | 36 | 74 | 56 | 42 | 37 | 36 | 40 |
| | 700 | 63 | 48 | 42 | 40 | 36 | 34 | 68 | 52 | 43 | 40 | 37 | 37 | 71 | 54 | 44 | 41 | 38 | 40 | 76 | 58 | 45 | 41 | 40 | 43 |
| 800 | 64 | 50 | 44 | 43 | 39 | 36 | 69 | 53 | 46 | 44 | 41 | 40 | 72 | 56 | 47 | 44 | 42 | 42 | 77 | 60 | 48 | 44 | 44 | 46 | |
| 9 | 450 | 58 | 41 | 30 | 24 | 21 | 23 | 62 | 45 | 31 | 24 | 23 | 27 | 65 | 47 | 31 | 24 | 23 | 29 | 69 | 51 | 32 | 23 | 25 | 33 |
| | 650 | 62 | 46 | 37 | 33 | 30 | 29 | 66 | 50 | 38 | 33 | 32 | 33 | 68 | 52 | 39 | 33 | 33 | 36 | 73 | 56 | 40 | 33 | 34 | 39 |
| | 850 | 64 | 49 | 43 | 39 | 37 | 34 | 69 | 53 | 44 | 39 | 39 | 38 | 71 | 55 | 44 | 39 | 40 | 40 | 75 | 59 | 45 | 39 | 41 | 44 |
| | 1050 | 67 | 52 | 47 | 45 | 43 | 38 | 71 | 56 | 48 | 45 | 44 | 42 | 73 | 58 | 48 | 44 | 45 | 44 | 78 | 62 | 49 | 44 | 46 | 48 |
| 10 | 550 | 57 | 42 | 28 | 22 | 22 | 23 | 62 | 46 | 30 | 23 | 25 | 28 | 65 | 49 | 32 | 24 | 27 | 30 | 70 | 53 | 34 | 25 | 31 | 35 |
| | 750 | 61 | 47 | 35 | 30 | 29 | 28 | 66 | 51 | 37 | 31 | 32 | 33 | 68 | 53 | 38 | 32 | 34 | 36 | 73 | 57 | 40 | 33 | 37 | 41 |
| | 950 | 63 | 50 | 39 | 36 | 34 | 33 | 68 | 54 | 41 | 37 | 37 | 37 | 71 | 56 | 43 | 38 | 39 | 40 | 76 | 60 | 45 | 39 | 42 | 45 |
| | 1150 | 66 | 53 | 43 | 41 | 38 | 36 | 70 | 57 | 45 | 42 | 41 | 41 | 73 | 59 | 46 | 42 | 43 | 44 | 78 | 63 | 48 | 43 | 46 | 48 |
| 1350 | 67 | 55 | 46 | 45 | 41 | 39 | 72 | 59 | 48 | 46 | 45 | 44 | 75 | 61 | 50 | 46 | 47 | 46 | 80 | 65 | 52 | 47 | 50 | 51 | |
| 12 | 900 | 58 | 45 | 31 | 28 | 29 | 31 | 63 | 50 | 33 | 31 | 33 | 35 | 65 | 52 | 34 | 32 | 35 | 37 | 70 | 57 | 36 | 35 | 38 | 41 |
| | 1300 | 62 | 50 | 38 | 35 | 35 | 36 | 67 | 54 | 40 | 38 | 39 | 40 | 69 | 57 | 41 | 39 | 41 | 42 | 74 | 61 | 43 | 41 | 44 | 46 |
| | 1500 | 64 | 51 | 41 | 38 | 38 | 38 | 68 | 56 | 43 | 40 | 41 | 42 | 71 | 58 | 44 | 42 | 43 | 44 | 76 | 63 | 46 | 44 | 46 | 48 |
| | 1700 | 65 | 53 | 43 | 40 | 40 | 39 | 70 | 57 | 45 | 43 | 43 | 43 | 72 | 60 | 46 | 44 | 45 | 46 | 77 | 64 | 48 | 46 | 48 | 49 |
| 2000 | 67 | 55 | 46 | 43 | 43 | 42 | 72 | 59 | 48 | 46 | 46 | 46 | 74 | 61 | 49 | 47 | 48 | 48 | 79 | 66 | 52 | 49 | 51 | 52 | |
| 14 | 1000 | 58 | 40 | 28 | 29 | 34 | 34 | 62 | 44 | 30 | 30 | 38 | 39 | 65 | 47 | 30 | 31 | 40 | 42 | 69 | 51 | 32 | 33 | 43 | 47 |
| | 1500 | 62 | 45 | 36 | 36 | 40 | 38 | 67 | 49 | 37 | 37 | 43 | 43 | 69 | 52 | 38 | 38 | 45 | 46 | 74 | 56 | 40 | 39 | 48 | 51 |
| | 2000 | 66 | 48 | 41 | 41 | 44 | 41 | 70 | 53 | 43 | 42 | 47 | 46 | 73 | 55 | 44 | 43 | 49 | 49 | 77 | 60 | 45 | 44 | 52 | 54 |
| | 2500 | 68 | 51 | 46 | 45 | 47 | 43 | 73 | 55 | 47 | 46 | 50 | 48 | 75 | 58 | 48 | 47 | 52 | 51 | 80 | 62 | 50 | 48 | 55 | 56 |
| 16 | 1500 | 60 | 43 | 32 | 31 | 36 | 36 | 64 | 47 | 34 | 33 | 39 | 40 | 67 | 49 | 36 | 34 | 40 | 42 | 72 | 53 | 38 | 37 | 43 | 46 |
| | 2000 | 63 | 46 | 38 | 36 | 40 | 38 | 68 | 50 | 40 | 38 | 42 | 42 | 71 | 52 | 41 | 39 | 44 | 45 | 75 | 56 | 43 | 42 | 47 | 49 |
| | 2500 | 66 | 49 | 42 | 40 | 43 | 40 | 70 | 53 | 44 | 42 | 46 | 45 | 73 | 55 | 46 | 43 | 47 | 47 | 78 | 59 | 48 | 45 | 50 | 51 |
| | 3000 | 68 | 51 | 46 | 43 | 46 | 42 | 73 | 55 | 48 | 45 | 48 | 46 | 75 | 57 | 49 | 46 | 50 | 49 | 80 | 61 | 51 | 49 | 52 | 53 |
| 3500 | 69 | 53 | 49 | 45 | 48 | 44 | 74 | 57 | 51 | 48 | 50 | 48 | 77 | 59 | 52 | 49 | 52 | 50 | 82 | 63 | 54 | 51 | 54 | 54 | |

Performance Notes:

1. Test data obtained in accordance with AHRI Standard 880-2017 and ASHRAE Standard 130-2016.
2. Sound power levels include duct end corrections per AHRI Standard 880-2017.

PERFORMANCE DATA

RDV with Inlet Silencer

Polymer Film Lined Silencer (Exhaust)

| Unit Size | Airflow cfm | Sound Power Levels Lw dB Re 10 ⁻¹² Watts | | | | | | | | | | | | | | | | | | | | | | | | | | | | | | | | | | | | | | | | | | | | | | | |
|-----------|----------------|---|----|----|----|----|----|----|-----------------------------|----|----|----|----|----|----|-----------------------------|----|----|----|----|----|----|-----------------------------|----|----|----|----|----|----|----|----|----|----|----|----|----|----|----|----|----|----|----|----|----|----|----|----|----|----|
| | | 0.5 in. w.g. Octave Band | | | | | | | 1.0 in. w.g. Octave Band | | | | | | | 1.5 in. w.g. Octave Band | | | | | | | 3.0 in. w.g. Octave Band | | | | | | | | | | | | | | | | | | | | | | | | | | |
| | | 2 | 3 | 4 | 5 | 6 | 7 | 2 | 3 | 4 | 5 | 6 | 7 | 2 | 3 | 4 | 5 | 6 | 7 | 2 | 3 | 4 | 5 | 6 | 7 | | | | | | | | | | | | | | | | | | | | | | | | |
| 6 | 200 | 54 | 40 | 31 | 24 | 19 | 21 | 58 | 44 | 35 | 25 | 19 | 24 | 61 | 47 | 36 | 26 | 19 | 27 | 65 | 51 | 39 | 27 | 19 | 30 | 54 | 40 | 31 | 24 | 19 | 21 | 58 | 44 | 35 | 25 | 19 | 24 | 61 | 47 | 36 | 26 | 19 | 27 | 65 | 51 | 39 | 27 | 19 | 30 |
| | 250 | 56 | 43 | 34 | 29 | 25 | 25 | 60 | 47 | 37 | 30 | 25 | 28 | 63 | 50 | 39 | 30 | 24 | 30 | 67 | 54 | 42 | 31 | 24 | 34 | 56 | 43 | 34 | 29 | 25 | 25 | 60 | 47 | 37 | 30 | 25 | 28 | 63 | 50 | 39 | 30 | 24 | 30 | 67 | 54 | 42 | 31 | 24 | 34 |
| | 300 | 58 | 45 | 37 | 33 | 30 | 28 | 62 | 50 | 40 | 34 | 30 | 31 | 65 | 52 | 42 | 34 | 29 | 33 | 69 | 56 | 45 | 35 | 29 | 37 | 58 | 45 | 37 | 33 | 30 | 28 | 62 | 50 | 40 | 34 | 30 | 31 | 65 | 52 | 42 | 34 | 29 | 33 | 69 | 56 | 45 | 35 | 29 | 37 |
| | 380 | 60 | 49 | 40 | 37 | 37 | 32 | 65 | 53 | 43 | 38 | 36 | 35 | 67 | 55 | 45 | 39 | 36 | 37 | 71 | 60 | 48 | 40 | 35 | 41 | 60 | 49 | 40 | 37 | 37 | 32 | 65 | 53 | 43 | 38 | 36 | 35 | 67 | 55 | 45 | 39 | 36 | 37 | 71 | 60 | 48 | 40 | 35 | 41 |
| 7 | 250 | 55 | 41 | 31 | 26 | 22 | 21 | 60 | 46 | 35 | 28 | 23 | 26 | 62 | 49 | 37 | 29 | 24 | 29 | 67 | 53 | 40 | 32 | 25 | 34 | 55 | 41 | 31 | 26 | 22 | 21 | 60 | 46 | 35 | 28 | 23 | 26 | 62 | 49 | 37 | 29 | 24 | 29 | 67 | 53 | 40 | 32 | 25 | 34 |
| | 350 | 58 | 45 | 36 | 31 | 28 | 26 | 63 | 50 | 39 | 33 | 29 | 31 | 66 | 52 | 41 | 34 | 30 | 34 | 70 | 57 | 44 | 37 | 31 | 39 | 58 | 45 | 36 | 31 | 28 | 26 | 63 | 50 | 39 | 33 | 29 | 31 | 66 | 52 | 41 | 34 | 30 | 34 | 70 | 57 | 44 | 37 | 31 | 39 |
| | 450 | 61 | 48 | 39 | 35 | 33 | 30 | 65 | 52 | 42 | 37 | 34 | 35 | 68 | 55 | 44 | 38 | 35 | 38 | 72 | 60 | 47 | 40 | 36 | 42 | 61 | 48 | 39 | 35 | 33 | 30 | 65 | 52 | 42 | 37 | 34 | 35 | 68 | 55 | 44 | 38 | 35 | 38 | 72 | 60 | 47 | 40 | 36 | 42 |
| | 550 | 63 | 50 | 41 | 38 | 37 | 33 | 67 | 54 | 45 | 40 | 38 | 38 | 70 | 57 | 46 | 41 | 38 | 41 | 74 | 62 | 50 | 43 | 39 | 45 | 63 | 50 | 41 | 38 | 37 | 33 | 67 | 54 | 45 | 40 | 38 | 38 | 70 | 57 | 46 | 41 | 38 | 41 | 74 | 62 | 50 | 43 | 39 | 45 |
| 600 | 63 | 51 | 42 | 39 | 38 | 34 | 68 | 55 | 46 | 41 | 39 | 39 | 71 | 58 | 48 | 42 | 40 | 42 | 75 | 63 | 51 | 45 | 41 | 47 | 63 | 51 | 42 | 39 | 38 | 34 | 68 | 55 | 46 | 41 | 39 | 39 | 71 | 58 | 48 | 42 | 40 | 42 | 75 | 63 | 51 | 45 | 41 | 47 | |
| 8 | 400 | 59 | 44 | 33 | 29 | 22 | 26 | 64 | 49 | 36 | 32 | 24 | 31 | 67 | 52 | 38 | 33 | 25 | 34 | 72 | 57 | 42 | 35 | 28 | 39 | 59 | 44 | 33 | 29 | 22 | 26 | 64 | 49 | 36 | 32 | 24 | 31 | 67 | 52 | 38 | 33 | 25 | 34 | 72 | 57 | 42 | 35 | 28 | 39 |
| | 500 | 61 | 46 | 36 | 33 | 27 | 30 | 66 | 51 | 40 | 35 | 29 | 35 | 69 | 54 | 42 | 37 | 31 | 38 | 74 | 59 | 45 | 39 | 33 | 42 | 61 | 46 | 36 | 33 | 27 | 30 | 66 | 51 | 40 | 35 | 29 | 35 | 69 | 54 | 42 | 37 | 31 | 38 | 74 | 59 | 45 | 39 | 33 | 42 |
| | 600 | 63 | 48 | 39 | 36 | 32 | 33 | 67 | 53 | 42 | 38 | 34 | 38 | 70 | 56 | 44 | 40 | 35 | 40 | 75 | 61 | 48 | 42 | 37 | 45 | 63 | 48 | 39 | 36 | 32 | 33 | 67 | 53 | 42 | 38 | 34 | 38 | 70 | 56 | 44 | 40 | 35 | 40 | 75 | 61 | 48 | 42 | 37 | 45 |
| | 700 | 64 | 50 | 41 | 39 | 35 | 35 | 69 | 55 | 44 | 41 | 37 | 40 | 71 | 58 | 46 | 42 | 39 | 43 | 76 | 63 | 50 | 44 | 41 | 48 | 64 | 50 | 41 | 39 | 35 | 35 | 69 | 55 | 44 | 41 | 37 | 40 | 71 | 58 | 46 | 42 | 39 | 43 | 76 | 63 | 50 | 44 | 41 | 48 |
| 800 | 65 | 51 | 43 | 41 | 38 | 37 | 70 | 56 | 46 | 43 | 40 | 42 | 73 | 59 | 48 | 44 | 42 | 45 | 77 | 64 | 52 | 47 | 44 | 50 | 65 | 51 | 43 | 41 | 38 | 37 | 70 | 56 | 46 | 43 | 40 | 42 | 73 | 59 | 48 | 44 | 42 | 45 | 77 | 64 | 52 | 47 | 44 | 50 | |
| 9 | 450 | 59 | 45 | 38 | 30 | 28 | 26 | 63 | 49 | 41 | 33 | 29 | 31 | 66 | 52 | 43 | 34 | 29 | 34 | 70 | 57 | 46 | 36 | 30 | 39 | 59 | 45 | 38 | 30 | 28 | 26 | 63 | 49 | 41 | 33 | 29 | 31 | 66 | 52 | 43 | 34 | 29 | 34 | 70 | 57 | 46 | 36 | 30 | 39 |
| | 650 | 62 | 49 | 42 | 36 | 35 | 32 | 66 | 53 | 46 | 38 | 36 | 37 | 69 | 56 | 48 | 39 | 36 | 39 | 74 | 61 | 51 | 42 | 37 | 44 | 62 | 49 | 42 | 36 | 35 | 32 | 66 | 53 | 46 | 38 | 36 | 37 | 69 | 56 | 48 | 39 | 36 | 39 | 74 | 61 | 51 | 42 | 37 | 44 |
| | 850 | 64 | 51 | 46 | 40 | 40 | 36 | 69 | 56 | 49 | 42 | 41 | 41 | 72 | 59 | 51 | 43 | 41 | 43 | 76 | 63 | 54 | 45 | 42 | 48 | 64 | 51 | 46 | 40 | 40 | 36 | 69 | 56 | 49 | 42 | 41 | 41 | 72 | 59 | 51 | 43 | 41 | 43 | 76 | 63 | 54 | 45 | 42 | 48 |
| | 1050 | 66 | 54 | 48 | 43 | 43 | 39 | 71 | 58 | 52 | 45 | 44 | 44 | 74 | 61 | 54 | 46 | 45 | 47 | 78 | 66 | 57 | 49 | 46 | 51 | 66 | 54 | 48 | 43 | 43 | 39 | 71 | 58 | 52 | 45 | 44 | 44 | 74 | 61 | 54 | 46 | 45 | 47 | 78 | 66 | 57 | 49 | 46 | 51 |
| 10 | 550 | 59 | 47 | 40 | 31 | 28 | 30 | 63 | 52 | 44 | 35 | 31 | 34 | 66 | 54 | 46 | 37 | 32 | 37 | 71 | 59 | 49 | 40 | 35 | 42 | 59 | 47 | 40 | 31 | 28 | 30 | 63 | 52 | 44 | 35 | 31 | 34 | 66 | 54 | 46 | 37 | 32 | 37 | 71 | 59 | 49 | 40 | 35 | 42 |
| | 750 | 62 | 50 | 44 | 35 | 33 | 34 | 66 | 55 | 47 | 39 | 36 | 38 | 69 | 57 | 50 | 41 | 37 | 41 | 74 | 62 | 53 | 44 | 40 | 45 | 62 | 50 | 44 | 35 | 33 | 34 | 66 | 55 | 47 | 39 | 36 | 38 | 69 | 57 | 50 | 41 | 37 | 41 | 74 | 62 | 53 | 44 | 40 | 45 |
| | 950 | 64 | 52 | 47 | 38 | 37 | 37 | 69 | 57 | 50 | 42 | 40 | 41 | 71 | 60 | 52 | 44 | 41 | 44 | 76 | 65 | 56 | 47 | 44 | 48 | 64 | 52 | 47 | 38 | 37 | 37 | 69 | 57 | 50 | 42 | 40 | 41 | 71 | 60 | 52 | 44 | 41 | 44 | 76 | 65 | 56 | 47 | 44 | 48 |
| | 1150 | 66 | 54 | 49 | 41 | 40 | 39 | 70 | 59 | 53 | 44 | 43 | 43 | 73 | 62 | 55 | 46 | 44 | 46 | 78 | 66 | 58 | 50 | 47 | 51 | 66 | 54 | 49 | 41 | 40 | 39 | 70 | 59 | 53 | 44 | 43 | 43 | 73 | 62 | 55 | 46 | 44 | 46 | 78 | 66 | 58 | 50 | 47 | 51 |
| | 1350 | 67 | 56 | 51 | 43 | 43 | 41 | 72 | 61 | 54 | 46 | 45 | 45 | 75 | 63 | 57 | 48 | 47 | 48 | 79 | 68 | 60 | 52 | 50 | 53 | 67 | 56 | 51 | 43 | 43 | 41 | 72 | 61 | 54 | 46 | 45 | 45 | 75 | 63 | 57 | 48 | 47 | 48 | 79 | 68 | 60 | 52 | 50 | 53 |
| 12 | 900 | 62 | 49 | 40 | 33 | 35 | 34 | 67 | 54 | 44 | 36 | 37 | 38 | 70 | 56 | 45 | 38 | 38 | 41 | 74 | 61 | 49 | 41 | 40 | 45 | 62 | 49 | 40 | 33 | 35 | 34 | 67 | 54 | 44 | 36 | 37 | 38 | 70 | 56 | 45 | 38 | 38 | 41 | 74 | 61 | 49 | 41 | 40 | 45 |
| | 1300 | 66 | 53 | 45 | 38 | 40 | 38 | 71 | 57 | 49 | 41 | 42 | 43 | 73 | 60 | 50 | 43 | 43 | 45 | 78 | 64 | 54 | 46 | 45 | 50 | 66 | 53 | 45 | 38 | 40 | 38 | 71 | 57 | 49 | 41 | 42 | 43 | 73 | 60 | 50 | 43 | 43 | 45 | 78 | 64 | 54 | 46 | 45 | 50 |
| | 1500 | 68 | 54 | 47 | 40 | 41 | 40 | 72 | 59 | 50 | 43 | 43 | 45 | 75 | 61 | 52 | 45 | 45 | 47 | 80 | 66 | 56 | 48 | 47 | 52 | 68 | 54 | 47 | 40 | 41 | 40 | 72 | 59 | 50 | 43 | 43 | 45 | 75 | 61 | 52 | 45 | 45 | 47 | 80 | 66 | 56 | 48 | 47 | 52 |
| | 1700 | 69 | 56 | 49 | 41 | 43 | 42 | 74 | 60 | 52 | 45 | 45 | 46 | 76 | 63 | 54 | 47 | 46 | 49 | 81 | 67 | 57 | 50 | 48 | 53 | 69 | 56 | 49 | 41 | 43 | 42 | 74 | 60 | 52 | 45 | 45 | 46 | 76 | 63 | 54 | 47 | 46 | 49 | 81 | 67 | 57 | 50 | 48 | 53 |
| | 2000 | 71 | 57 | 51 | 44 | 45 | 44 | 75 | 62 | 54 | 47 | 47 | 48 | 78 | 64 | 56 | 49 | 48 | 51 | 83 | 69 | 59 | 52 | 50 | 55 | 71 | 57 | 51 | 44 | 45 | 44 | 75 | 62 | 54 | 47 | 47 | 48 | 78 | 64 | 56 | 49 | 48 | 51 | 83 | 69 | 59 | 52 | 50 | 55 |
| 14 | 1000 | 59 | 46 | 40 | 33 | 34 | 37 | 64 | 50 | 43 | 35 | 37 | 42 | 66 | 53 | 44 | 37 | 39 | 45 | 71 | 57 | 46 | 39 | 41 | 50 | 59 | 46 | 40 | 33 | 34 | 37 | 64 | 50 | 43 | 35 | 37 | 42 | 66 | 53 | 44 | 37 | 39 | 45 | 71 | 57 | 46 | 39 | 41 | 50 |
| | 1500 | 64 | 51 | 47 | 39 | 40 | 41 | 68 | 55 | 49 | 41 | 43 | 46 | 71 | 58 | 50 | 43 | 44 | 49 | 75 | 62 | 53 | 45 | 47 | 54 | 64 | 51 | 47 | 39 | 40 | 41 | 68 | 55 | 49 | 41 | 43 | 46 | 71 | 58 | 50 | 43 | 44 | 49 | 75 | 62 | 53 | 45 | 47 | 54 |
| | 2000 | 67 | 54 | 51 | 43 | 44 | 43 | 71 | 58 | 53 | 45 | 47 | 49 | 74 | 61 | 55 | 47 | 48 | 52 | 79 | 65 | 57 | 49 | 51 | 57 | 67 | 54 | 51 | 43 | 44 | 43 | 71 | 58 | 53 | 45 | 47 | 49 | 74 | 61 | 55 | 47 | 48 | 52 | 79 | 65 | 57 | 49 | 51 | 57 |
| | 2500 | 69 | 57 | 55 | 46 | 47 | 46 | 74 | 61 | 57 | 49 | 50 | 51 | 77 | 63 | 58 | 50 | 52 | 54 | 81 | 68 | 61 | 52 | 54 | 59 | 69 | 57 | 55 | 46 | 47 | 46 | 74 | 61 | 57 | 49 | 50 | 51 | 77 | 63 | 58 | 50 | 52 | 54 | 81 | 68 | 61 | 52 | 54 | 59 |
| 16 | 1500 | 60 | 49 | 43 | 38 | 38 | 38 | 65 | 52 | 45 | 40 | 40 | 43 | 67 | 54 | 47 | 41 | 41 | 46 | 72 | 58 | 49 | 43 | 44 | 51 | 60 | 49 | 43 | 38 | 38 | 38 | 65 | 52 | 45 | 40 | 40 | 43 | 67 | 54 | 47 | 41 | 41 | 46 | 72 | 58 | 49 | 43 | 44 | 51 |
| | 2000 | 64 | 52 | 47 | 42 | 42 | 41 | 68 | 56 | 49 | 44 | 44 | | | | | | | | | | | | | | | | | | | | | | | | | | | | | | | | | | | | | |

price | TERMINALS

Product Improvement is a continuing endeavour at Price. Therefore, specifications are subject to change without notice. Consult your Price Sales Representative for current specifications or more detailed information. Not all products may be available in all geographic areas. All goods described in this document are warranted as described in the Limited Warranty shown at priceindustries.com. The complete Price product catalog can be viewed online at priceindustries.com.