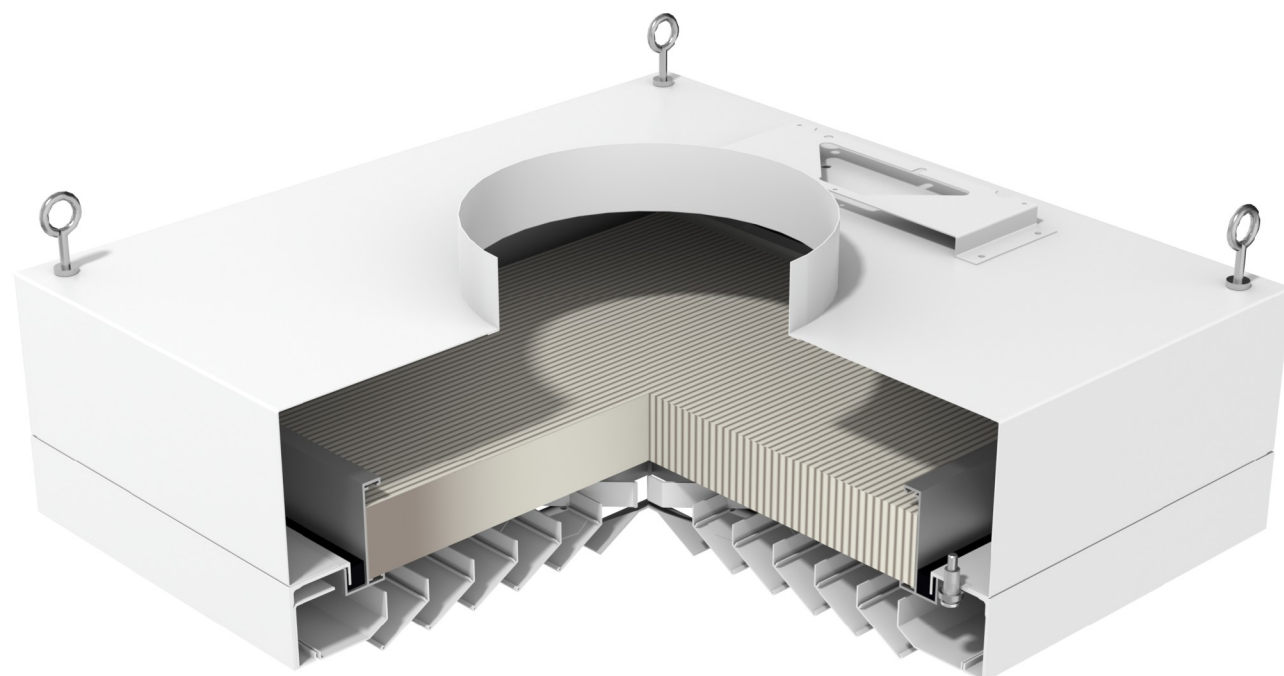


# AMDC

## LOUVERED FACE DIFFUSER WITH HEPA FILTER

### FEATURES

- THE AMDC FEATURES A LOUVERED FACE THAT PROVIDES A HIGH INDUCTION AIRFLOW THAT PROJECTS IN A 4-WAY HORIZONTAL PATTERN FROM THE FACE OF THE DIFFUSER.
- ROOM-SIDE REPLACEABLE HEPA FILTER REMOVES 99.99% OF AIRBORNE PARTICULATE.
- THE RAPID MIXING OF FILTERED SUPPLY AIR WITH THE ROOM AIR REDUCES PARTICLE CONCENTRATION AND IS IDEAL FOR CLEANROOMS.
- AEROSOL SAMPLE AND STATIC PRESSURE PORT AND OPTIONAL AEROSOL INJECTION PORT FACILITATE ROOM-SIDE AEROSOL CHALLENGE OF THE DIFFUSER.



**PRICE** | **CRITICAL ENVIRONMENTS**

PROJECT:

277918

Revision: 0

2/3/2025

# AMDC

## LOUVERED FACE DIFFUSER WITH HEPA FILTER CONSTRUCTION DETAILS AND OPTIONS

### STANDARD CONSTRUCTION

- PLENUM SEALED WITH ADHESIVE SEALANT
- SPOT WELDED PLENUM SEAMS
- CONTINUOUSLY WELDED VERTICAL AND HORIZONTAL KNIFE EDGE SEAMS
- EXTRUDED ALUMINUM FILTER FRAME WITH URETHANE GEL
- STATIC PRESSURE AND AEROSOL SAMPLE PORT
- TWO STAINLESS STEEL RETAINER CABLES PER UNIT
- FACTORY TOLERANCE +/- 1/32"

### PLENUM CONSTRUCTION

- ALUMINUM PLENUM, EXTRUDED KNIFE EDGE FRAME
- STAINLESS STEEL - 304 PLENUM & KNIFE EDGE FRAME

### FACE CONSTRUCTION

- ALUMINUM - ALUMINUM PANEL WITH RADIAL VANES

### PLENUM FINISH

- B12 STANDARD WHITE  
(OPTIONAL FINISHES AVAILABLE)

### FACE AND FRAME FINISH

- B12 STANDARD WHITE  
(OPTIONAL FINISHES AVAILABLE)

### INLET SIZES

- 8" (203) ROUND
- 10" (254) ROUND
- 12" (305) ROUND

### FILTER

- NO-FTR - NO FILTER
- HEPA-2 - 99.99% (0.3 MICRON) - 2"
- ULPA-2 - 99.9995% (0.12 MICRON) - 2"
- FRB - FILTER REPLACEMENT BAFFLE

### DAMPER (OPTIONAL)

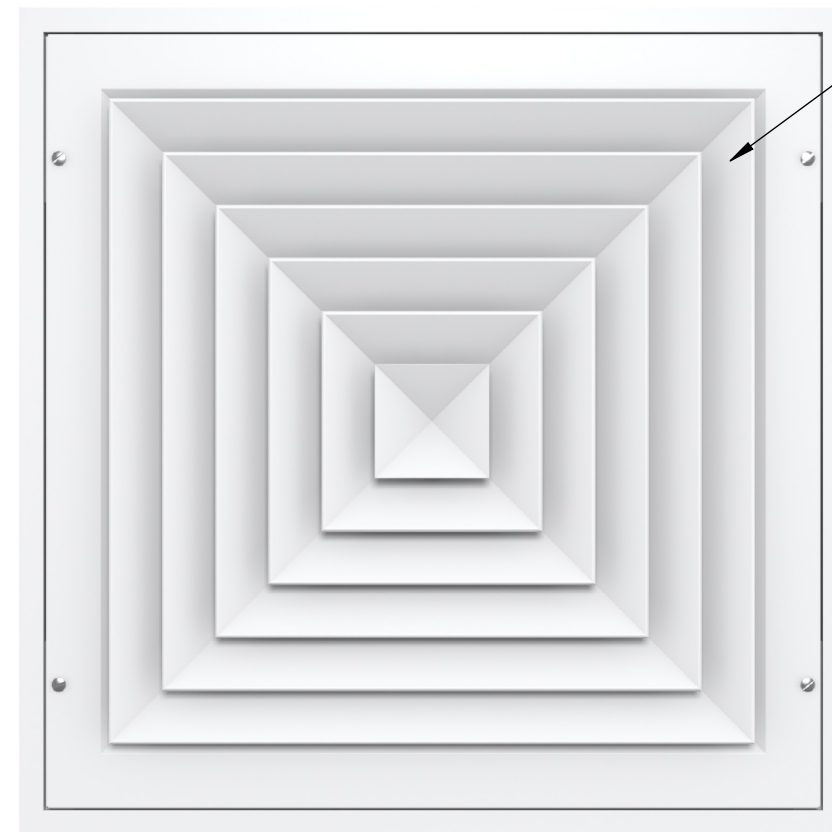
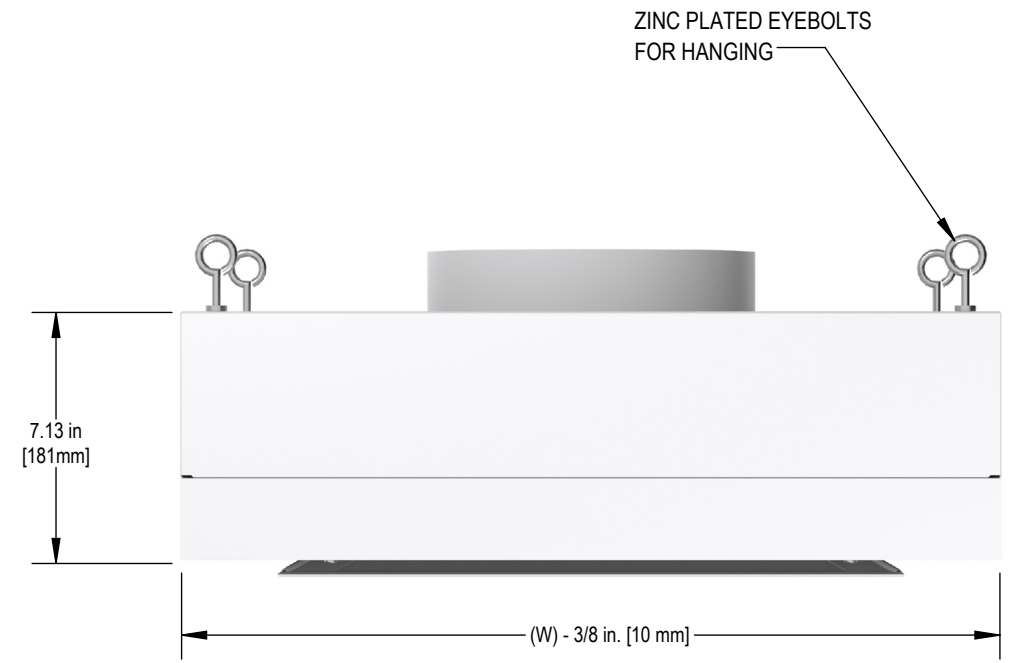
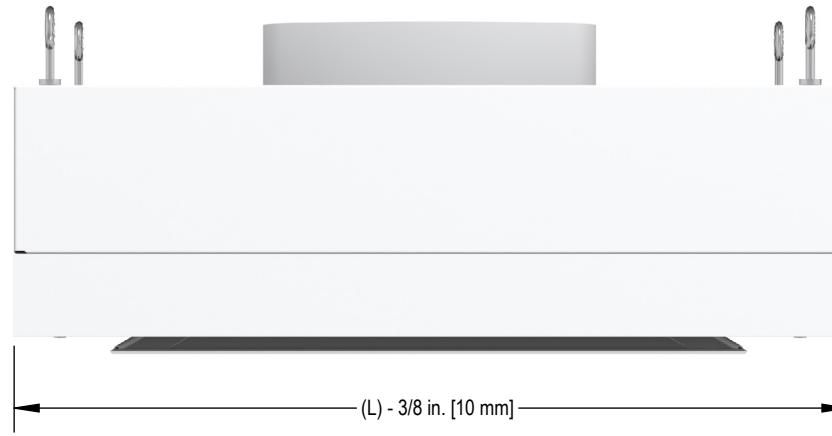
- VCR8EC - BUTTERFLY DAMPER, WHITE POWDER COATED STEEL BLADES
- VCR8ECSS - BUTTERFLY DAMPER, STAINLESS STEEL BLADES

### OPTIONS

- FL - FILTER INDICATOR LIGHT ON FACE
- FL+FBAS - FILTER INDICATOR LIGHT ON FACE AND FILTER BAS SIGNAL
- INJ - AEROSOL INJECTION SYSTEM WITH INLET EQUALIZATION BAFFLE
- CW - CONTINUOUSLY WELDED VERTICAL PLENUM SEAMS, SPOT WELDED INLET
- AFI-5 - 0.5" THICK ALUMINUM FOIL-BACKED FIBERGLASS EXTERNAL INSULATION
- AFI-1.5 - 1.5" THICK ALUMINUM FOIL BACKED FIBERGLASS EXTERNAL INSULATION
- PF - PROTECTIVE FILM

### NOTES

- FILTER PACKAGED SEPERATELY FROM DIFFUSER HOUSING FOR JOB SITE INSTALLATION BY OTHERS
- PLENUM FACTORY SCANNED FOR LEAKS IN ACCORDANCE WITH IEST-RP-CC034
- LAY IN CEILING INSTALLATION ONLY. UNIT SIZE DESIGNED FOR 1" WIDE T-BAR OR 1.5" WIDE T-BAR WITH 1/8" NOMINAL SIZE INCREASE PER FOOT
- FOR SURFACE MOUNT INSTALLATION, ORDER SEPERATE [HOSPITAL GRADE MOUNTING FRAME](#).



DIFFUSER FACE  
WITH RADIAL SLOTS

IMPERIAL (in.)				
INLET SIZES	NOMINAL (W x L)	ACTUAL WIDTH	ACTUAL LENGTH	FILTER AREA (sq.ft.)
8,10,12	24 x 24	23.63	23.63	2.3
8,10,12	24 x 48	23.63	47.63	5.3

METRIC (mm)				
INLET SIZES	NOMINAL (W x L)	ACTUAL WIDTH	ACTUAL LENGTH	FILTER AREA (m <sup>2</sup> )
8,10,12	610 x 610	600	600	0.29
8,10,12	610 x 1220	600	1210	0.49

**PRICE** | **CRITICAL ENVIRONMENTS**

PROJECT:

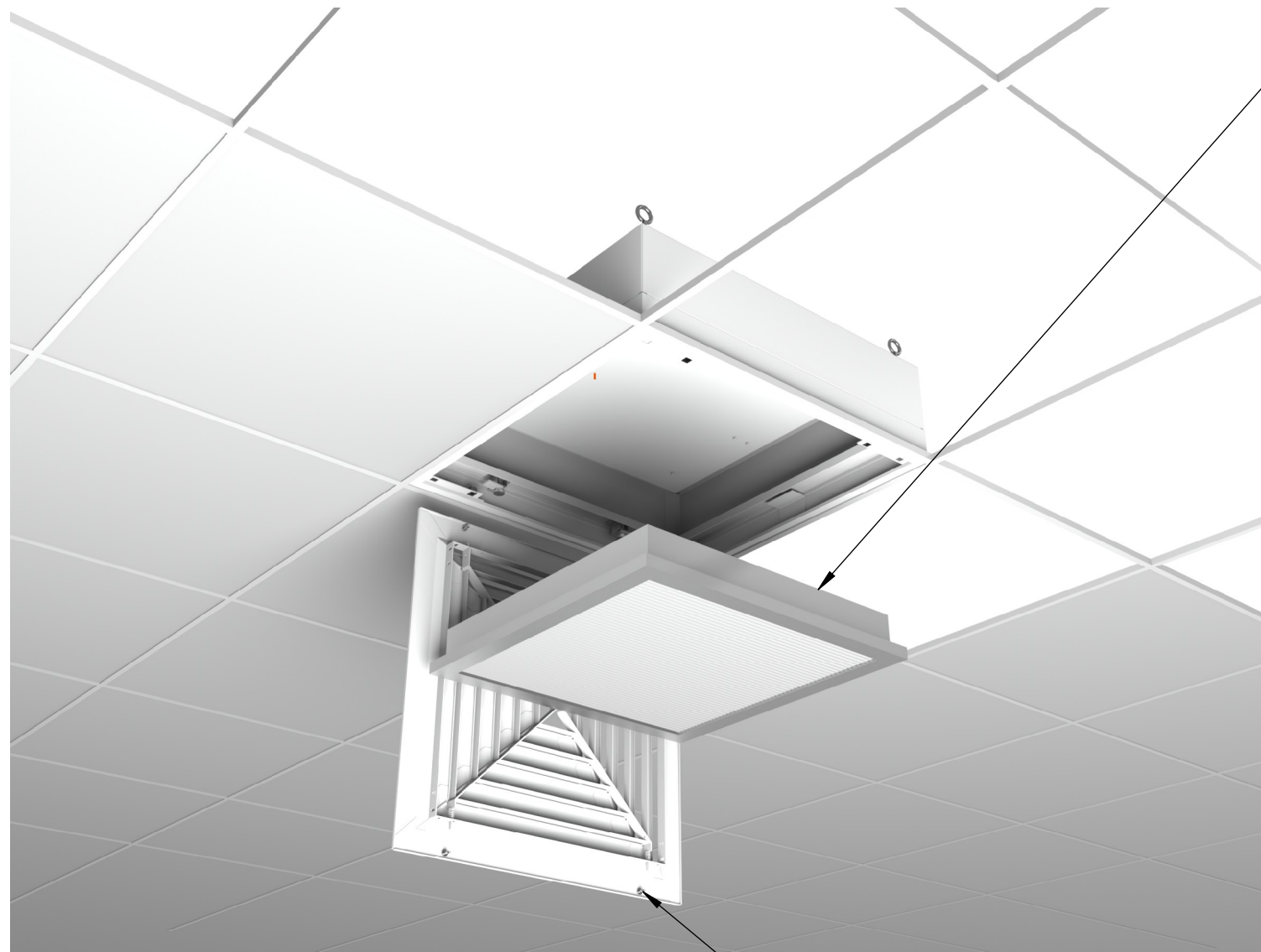
277918

Revision: 0

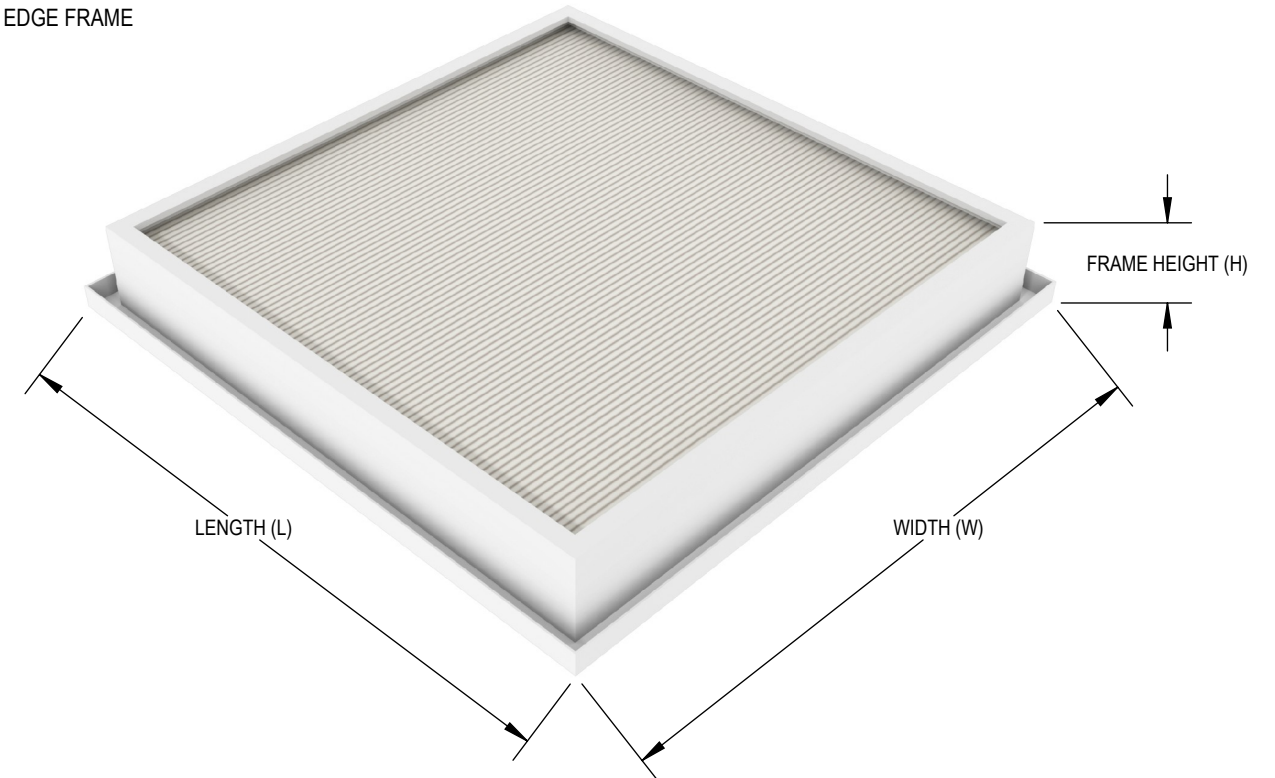
2/3/2025

# AMDC

## LOUVERED FACE DIFFUSER WITH HEPA FILTER FILTER DETAILS



FILTER WITH SEAL  
INSTALLS FROM THE ROOM SIDE  
ONTO THE AMDC KNIFE EDGE FRAME



DIFFUSER FACE SECURED WITH  
STAINLESS STEEL 1/4 TURN FASTENERS

### NOTES

- FILTER PLEATS RUN PARALLEL TO THE WIDTH (W) DIMENSION
- DIMENSIONS L & W TOLERANCES +/- 1/16"
- FILTERS COME WITH GEL SEAL FILLED CHANNEL
- EXPANDED PAINTED WHITE SCREEN ON THE DOWNSTREAM SIDE
- FRAME DETAILS
  - MATERIAL ANODIZED EXTRUDED ALUMINUM
  - THICKNESS 1/16" (MINIMUM)
- HEPA FILTERS EFFICIENCY AND LEAK SCAN TESTED TO IEST RP CC001 TYPE J
- ULPA FILTERS EFFICIENCY AND LEAK SCAN TESTED TO IEST RP CC001 TYPE F
- FILTER PACKAGED SEPERATELY FROM DIFFUSER FOR JOB SITE INSTALLATION BY OTHERS

[VISIT PRICE INDUSTRIES WEBSITE FOR FILTER INSTALLATION GUIDE](#)

NOMINAL UNIT SIZE (W x L)	IMPERIAL (in.)			NOMINAL UNIT SIZE (W x L)	METRIC (mm)		
	ACTUAL FILTER SIZE				ACTUAL FILTER SIZE		
	WIDTH (W)	LENGTH (L)	HEIGHT (H)		WIDTH (W)	LENGTH (L)	HEIGHT (H)
24 x 24	20.69	20.69	2.88	610 x 610	526	526	73
24 x 48	20.69	44.69	2.88	610 x 1220	526	1135	73

**PRICE** | **CRITICAL ENVIRONMENTS**

PROJECT:

277918

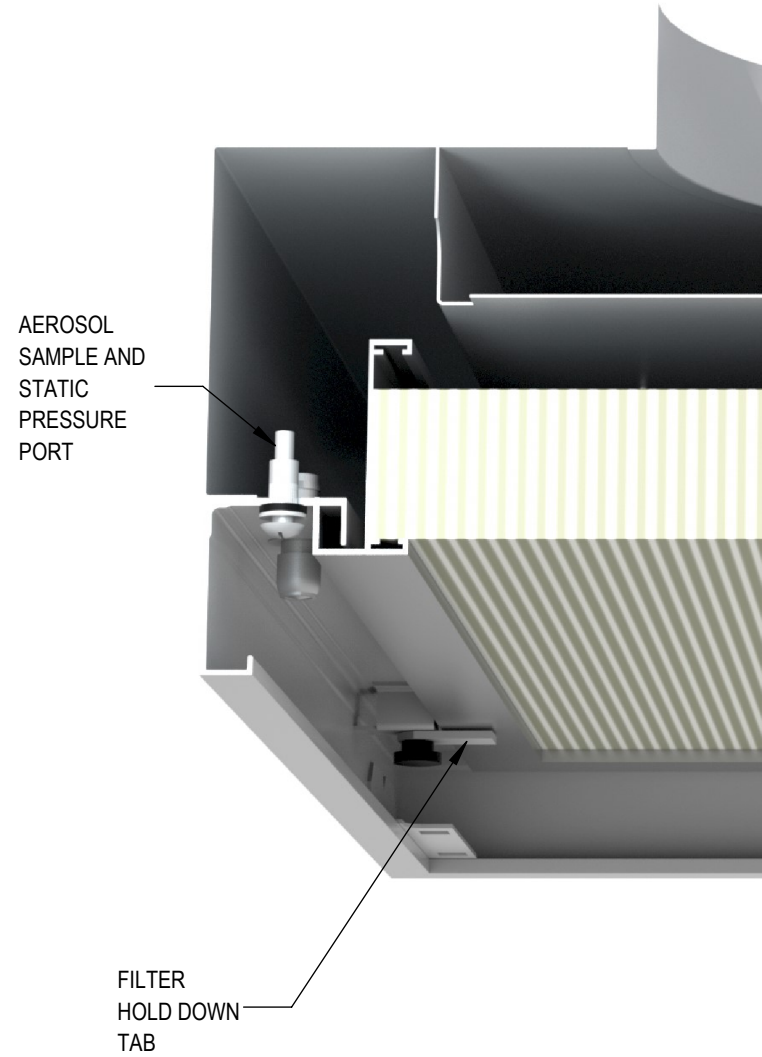
Revision: 0

2/3/2025

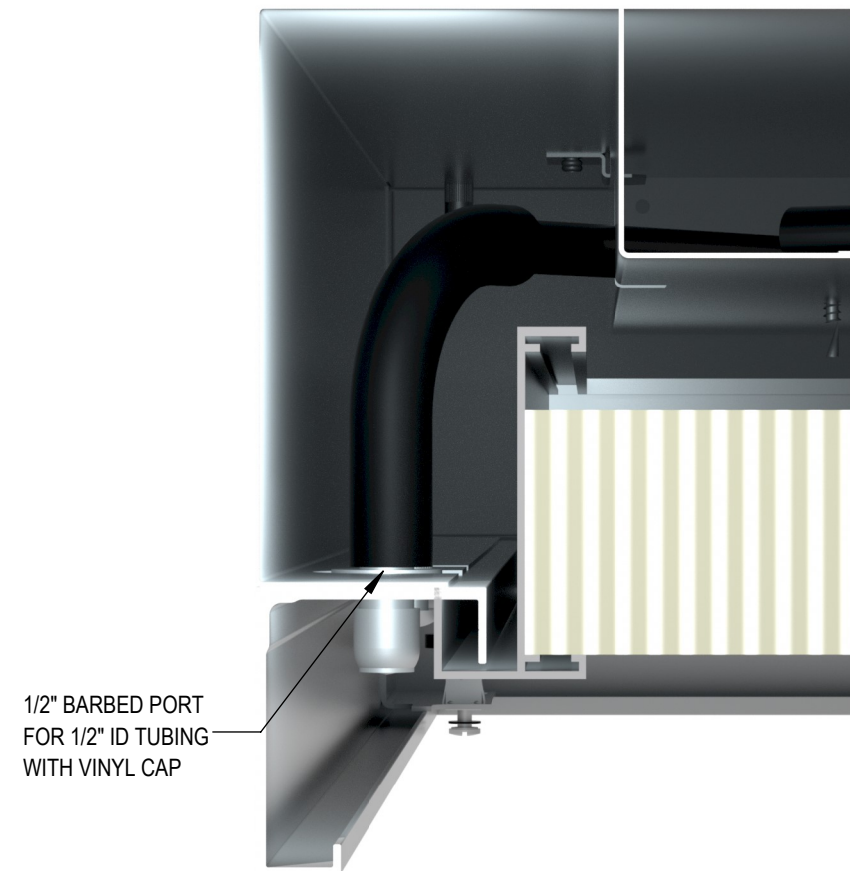
# AMDC

## LOUVERED FACE DIFFUSER WITH HEPA FILTER DETAIL VIEWS

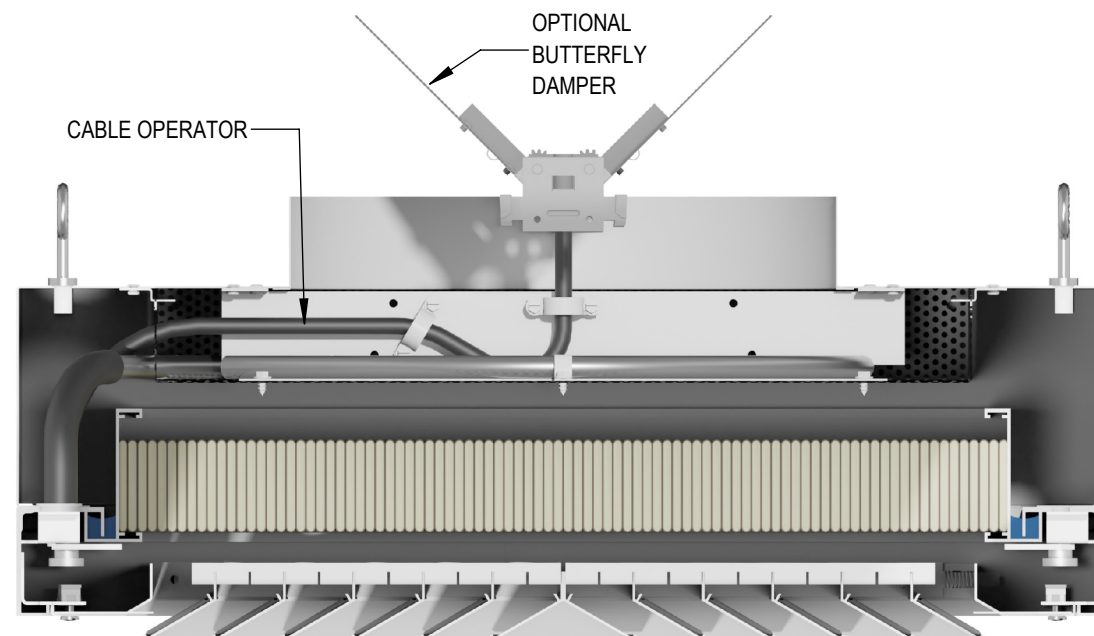
### AEROSOL/STATIC PORT DETAIL VIEW



### INJ - AEROSOL INJECTION PORT DETAIL VIEW



### DAMPER DETAIL VIEW



**PRICE** | **CRITICAL ENVIRONMENTS**

PROJECT:

277918

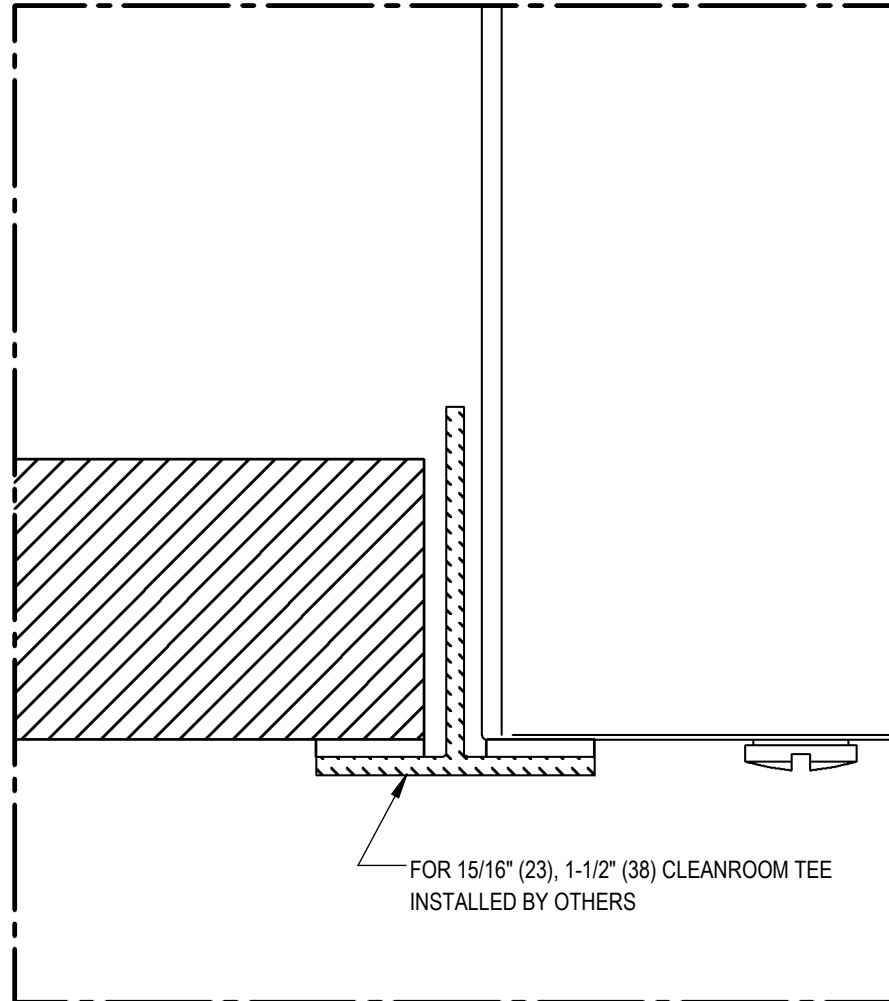
Revision: 0

2/3/2025

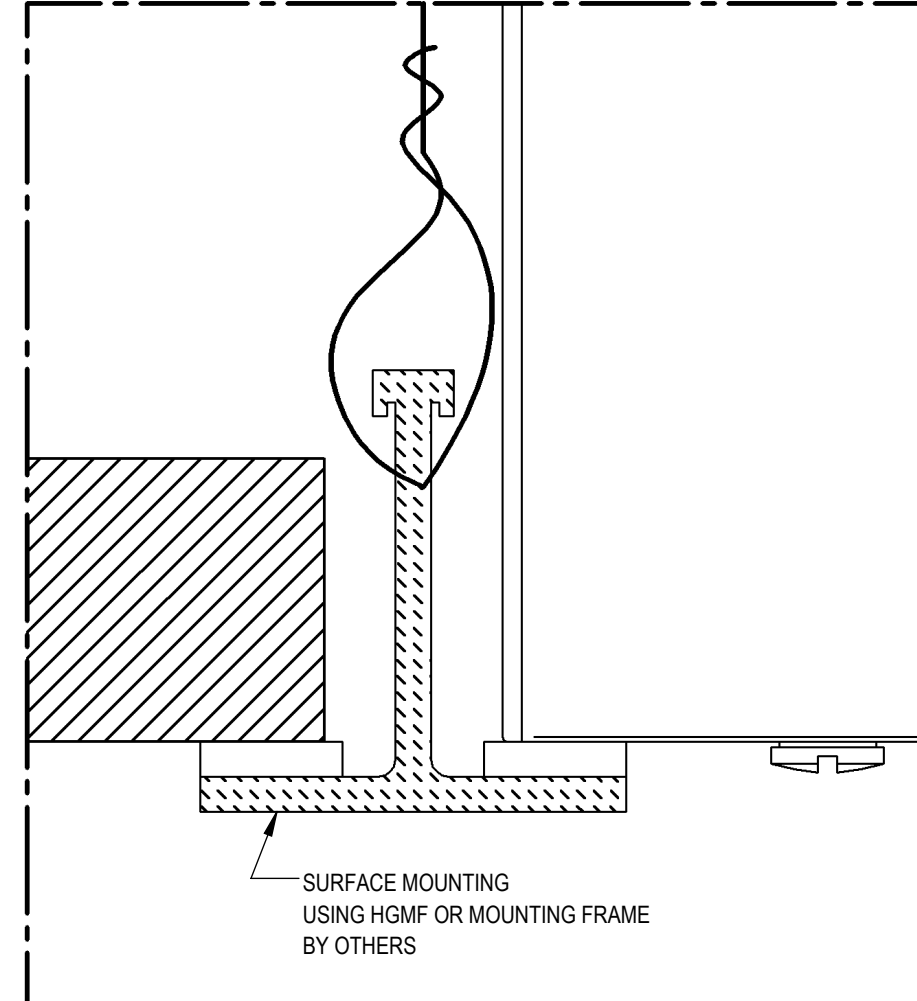
# AMDC

## LOUVERED FACE DIFFUSER WITH HEPA FILTER MOUNTING DETAILS

### T-BAR MOUNTING



### SURFACE MOUNTING



### NOTES

- LAY IN CEILING INSTALLATION ONLY. UNIT SIZE DESIGNED FOR 1" WIDE T-BAR OR 1.5" WIDE T-BAR.
- FOR SURFACE MOUNT INSTALLATION ORDER SEPARATE [HOSPITAL GRADE MOUNTING FRAME](#).

**PRICE** | **CRITICAL ENVIRONMENTS**

PROJECT:

277918

Revision: 0

2/3/2025

# AMDC

## LOUVERED FACE DIFFUSER WITH HEPA FILTER SUPPORTING CONTENT



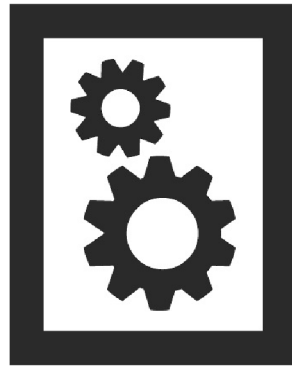
### CATALOG / PERFORMANCE

- [AMDC LOUVERED FACE DIFFUSER WITH HEPA FILTER CATALOG](#)
- [AMDC LOUVERED FACE DIFFUSER WITH HEPA FILTER PERFORMANCE DATA](#)
- [AMDC LOUVERED FACE DIFFUSER WITH HEPA FILTER PERFORMANCE DATA \(METRIC\)](#)



### SUBMITTALS

- [FTR REPLACEMENT FILTER SUBMITTAL](#)
- [HGMF HOSPITAL GRADE MOUNTING FRAME SUBMITTAL](#)



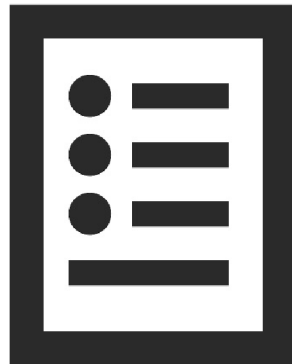
### MANUALS

- [CRITICAL ENVIRONMENTS DIFFUSER INSTALLATION MANUAL](#)
- [FTR ROOM-SIDE REPLACEABLE FILTER \(RSR\) QUICK START GUIDE](#)
- [INJ AEROSOL INJECTION PORT USER MANUAL](#)
- [INJ AEROSOL INJECTION PORT INSTALLATION MANUAL](#)
- [LEDK FILTER STATUS INDICATOR INSTALLATION MANUAL](#)



### VIDEOS

- [FILTER TESTING & AEROSOL INJECTION](#)



### SPECIFICATIONS

- [AMDC LOUVERED FACE DIFFUSER WITH HEPA FILTER SPECIFICATION](#)



### WEBSITE

- [FOR MORE INFORMATION VISIT PRICEINDUSTRIES.COM](#)



PROJECT:

277918

Revision: 0

2/3/2025