

ACTIVE CHILLED BEAM LINEAR 24" WIDE

OPTIONS:

- DISCHARGE (SEE PAGE 2)
- COIL ORIENTATION (SEE PAGE 2)
- INLET LOCATION (SEE PAGE 2)
- INLET DAMPER (SEE PAGE 10)
- VOLUME FLOW REGULATOR (SEE PAGE 11)
- BORDER STYLE (SEE PAGE 9)
- MOUNTING BRACKET (SEE PAGES 3 & 4)
- CASING ACCESSORY (SEE PAGE 5)
- SLIMLINE COUPLING (SEE PAGE 6)
- ACCESS BLANK SECTION (SEE PAGE 7)
- RETURN/EXHAUST SECTION (SEE PAGE 7)
- AIR DIFFUSER SECTION (SEE PAGE 7)
- PATTERN CONTROLLERS (SEE PAGE 8)

NOZZLE SIZE:

- 309
- 416
- 412
- 406
- 510
- 506
- 607
- 604
- 601

COIL TYPE:

- 2P1C-NODV - 2 PIPE, 1 CIRCUIT
- 2P2C-NODV - 2 PIPE, 2 CIRCUIT
- 4P1C-NODV - 4 PIPE, 1 CIRCUIT
- 4P2C-NODV - 4 PIPE, 2 CIRCUIT
- 2P1C-DV - 2 PIPE, 1 CIRCUIT W/ DRAIN AND VENTS
- 2P2C-DV - 2 PIPE, 2 CIRCUIT W/ DRAIN AND VENTS
- 4P1C-DV - 4 PIPE, 1 CIRCUIT W/ DRAIN AND VENTS
- 4P2C-DV - 4 PIPE, 2 CIRCUIT W/ DRAIN AND VENTS

COIL CONNECTION:

- SWT - 1/2" SWEAT
- FNPT - 1/2" NPT - FEMALE
- FNPT-E - 1/2" NPT - FEMALE - ELBOW
- MNPT - 1/2" NPT - MALE

COIL FINISH:

- NONE - UNPAINTED (DEFAULT)
- BLK - BLACK PAINTED COIL

INLET SIZE:

- 5 - 5" ROUND INLET
- 6E - 6" OVAL EQUIVALENT INLET (4" x 7")
- 8E - 8" OVAL EQUIVALENT INLET (4" x 10.125")

FACE TETHER:

- NONE (DEFAULT)
- FT - FACE TETHER

FACE STYLE:

- P - PERFORATED (DEFAULT)
- G - GRILLE

PLENUM FINISH:

- GLV - UNPAINTED GALVANNEAL (DEFAULT)
- MATCH - PLENUM MATCHES UNIT FINISH

INSULATION:

- NONE (DEFAULT)
- INT - INTERNAL 1/2" FIBERFREE
- EXT - EXTERNAL 1/2" FIBERFREE
- INEX - INTERNAL AND EXTERNAL

PROTECTIVE FILM:

- NONE (DEFAULT)
- PF - PROTECTIVE FILM ON FACE AND INLET

FINISH:

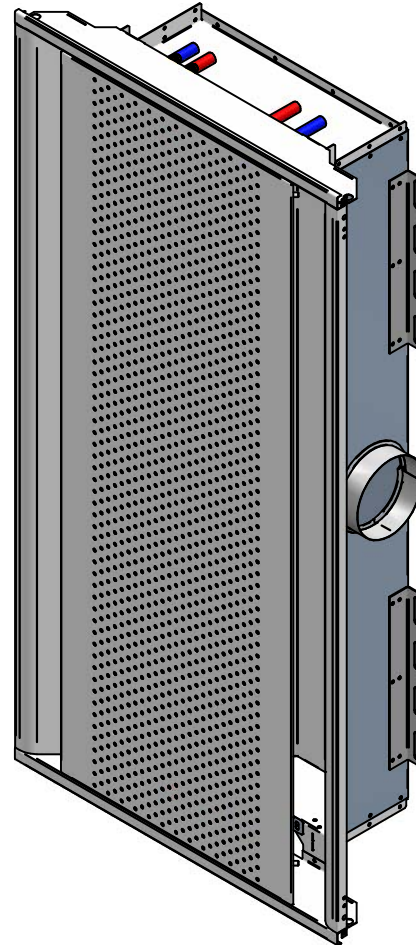
- B12 - STANDARD WHITE (DEFAULT)
- SPL - SPECIAL COLOR

ELEVATION:

- SEA LEVEL
- HIGH ALTITUDE _____ FT

NOTES:

- STANDARD CONSTRUCTION: 20 GAUGE CASING CONSTRUCTION (STEEL)
- WEIGHTS ARE FOR PERFORATED FACE UNIT



ACTIVE LENGTH	ACTUAL LENGTH (L)	WEIGHT (lbs)	
		DRY	WET
24"	23 3/4"	25	27
36"	35 3/4"	38	41
48"	47 3/4"	50	55
60"	59 3/4"	63	68
72"	71 3/4"	75	82
84"	83 3/4"	88	95
96"	95 3/4"	100	109
108"	107 3/4"	113	123
120"	119 3/4"	125	136

PROJECT:

ENGINEER:

CUSTOMER:

SUBMITTAL DATE:

SPEC. SYMBOL:

DY

266851

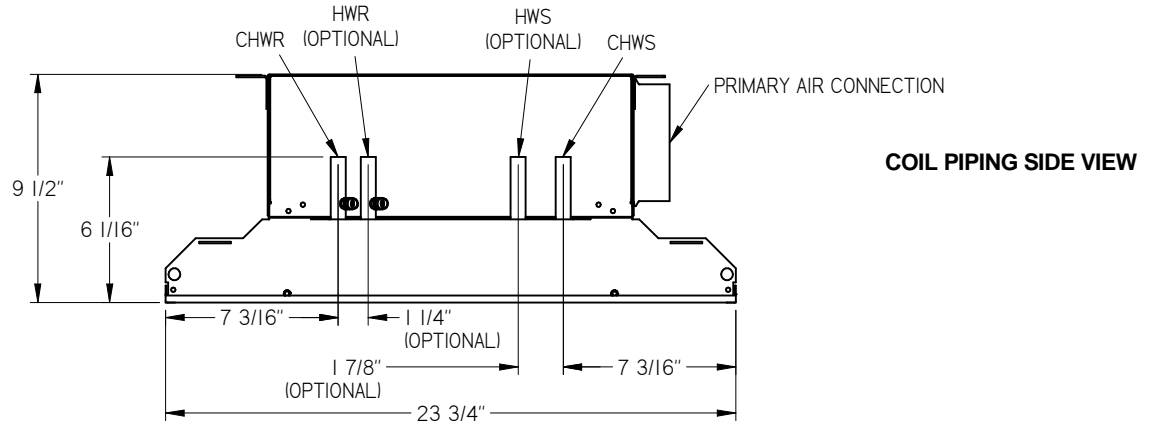
2025/03/27



ACBL24
ACTIVE CHILLED BEAM
LINEAR 24" WIDE

Solid Edge

ACTIVE CHILLED BEAM LINEAR 24" WIDE



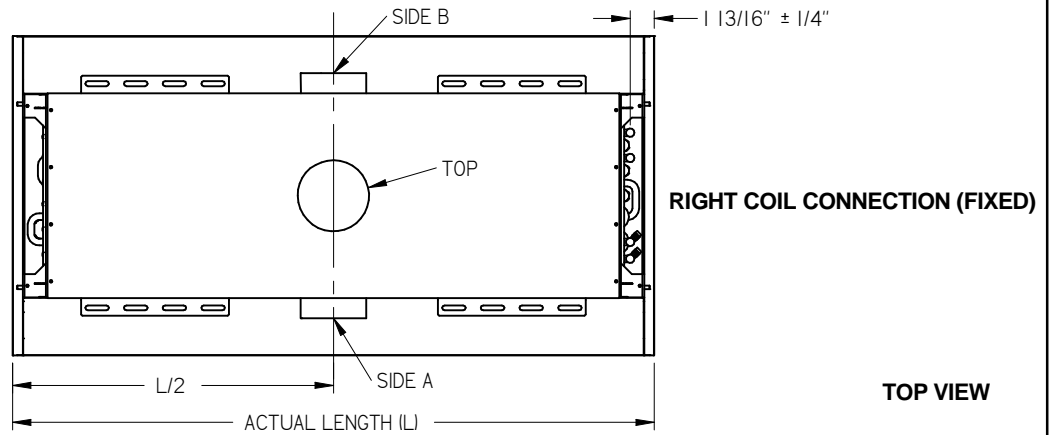
DISCHARGE

- 2-W
- 1-W

INLET LOCATION:

- A - SIDE A
- B - SIDE B
- T - TOP

2-W DISCHARGE

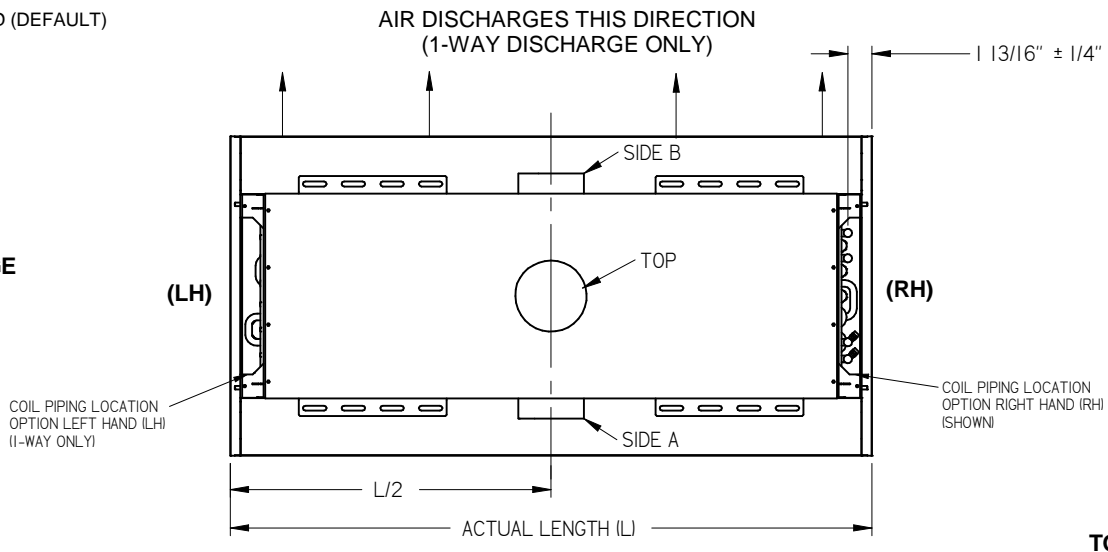


COIL ORIENTATION:

- RH - RIGHT HAND (DEFAULT)
- LH - LEFT HAND

*ONLY FOR 1-W

1-W DISCHARGE



PROJECT:

ENGINEER:

CUSTOMER:

SUBMITTAL DATE:

SPEC. SYMBOL:



DY

266851

2025/03/27

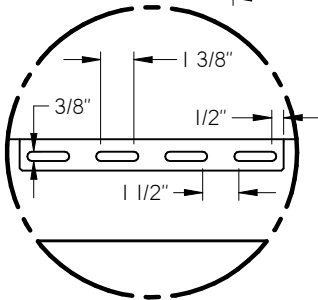
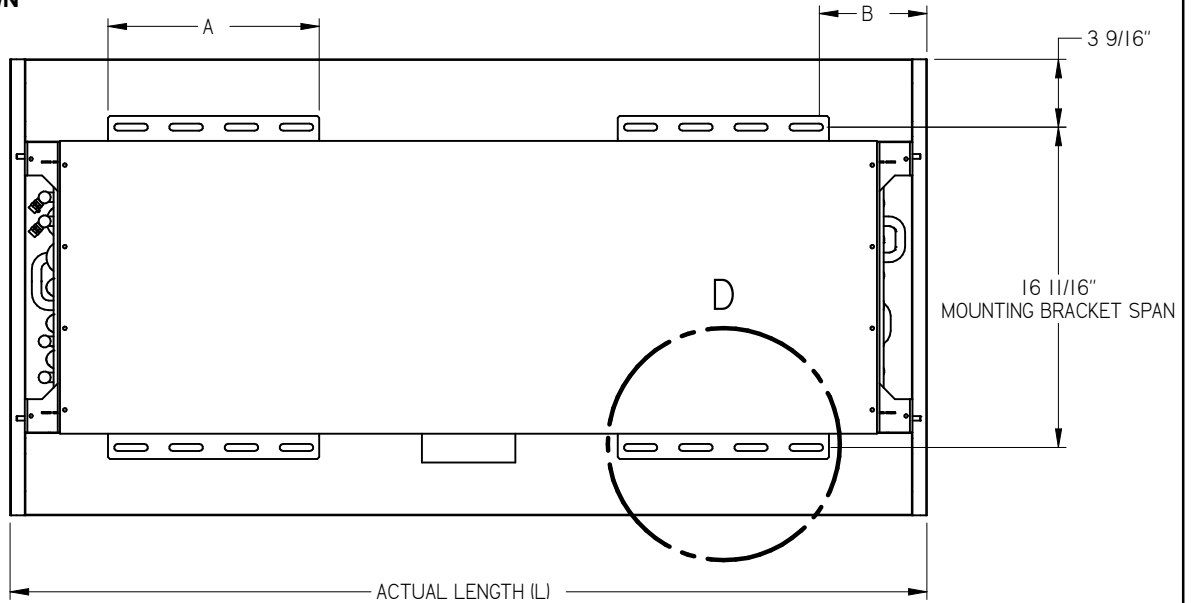
ACBL24
ACTIVE CHILLED BEAM
LINEAR 24" WIDE

ACTIVE CHILLED BEAM LINEAR 24" WIDE

MOUNTING BRACKET:

- SLOT - SLOT BRACKET (DEFAULT)
- DIN - ADJUSTABLE BRACKET
(DETAILS FOR ADJUSTABLE BRACKET ARE SHOWN ON THE NEXT PAGE)

SLOT BRACKET SHOWN



DETAIL D

SLOT BRACKET AMOUNT PER LENGTH									
	ACTIVE LENGTH								
	24"	36"	48"	60"	72"	84"	96"	108"	120"
QTY	4	8	4	4	8	8	12	12	16
BRACKET LENGTH (A)	2 1/2"	6"	11"	11"	23"	23"	35"	35"	47"
BRACKET END LENGTH (B)	4 3/16"	4 3/16"	5 5/8"	5 5/8"	5 5/8"	5 5/8"	5 5/8"	5 5/8"	5 5/8"

PROJECT:

ENGINEER:

CUSTOMER:

SUBMITTAL DATE:

SPEC. SYMBOL:



DY

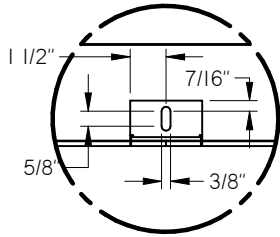
266851

2025/03/27

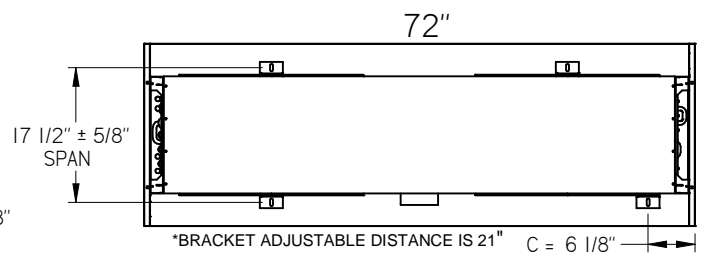
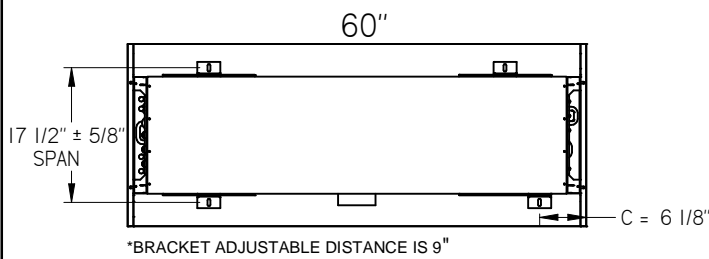
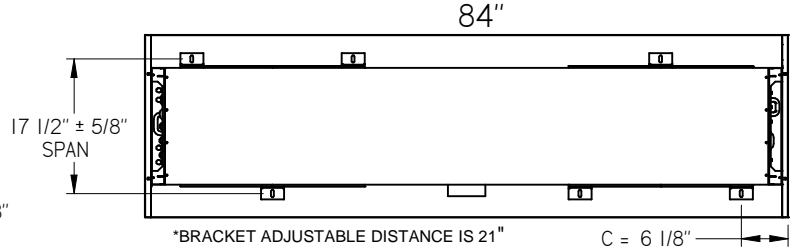
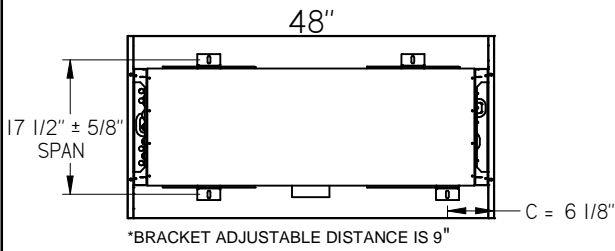
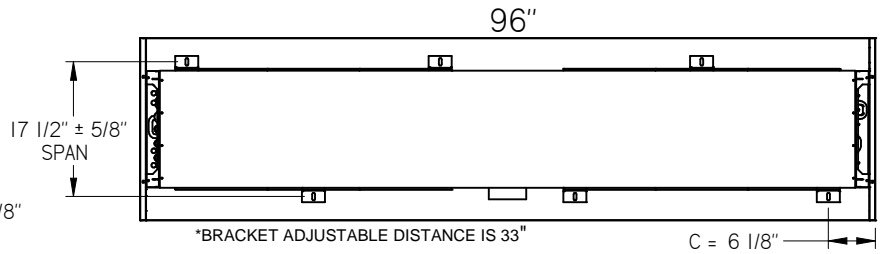
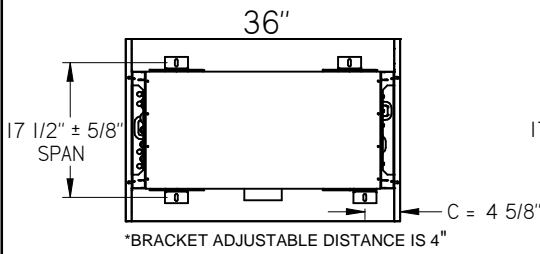
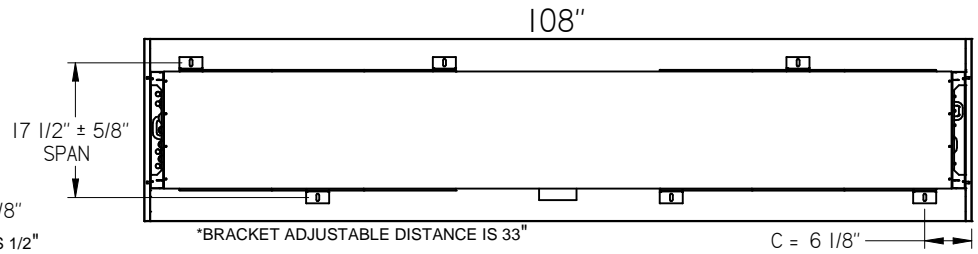
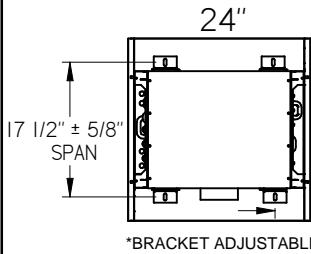
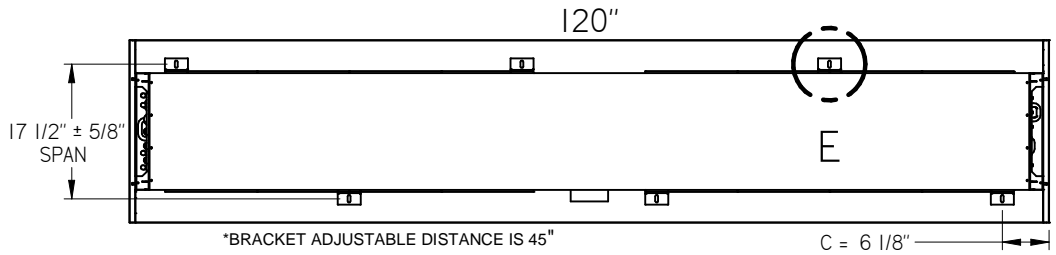
ACBL24
ACTIVE CHILLED BEAM
LINEAR 24" WIDE

ACTIVE CHILLED BEAM LINEAR 24" WIDE

ADJUSTABLE BRACKET SHOWN



DETAIL E



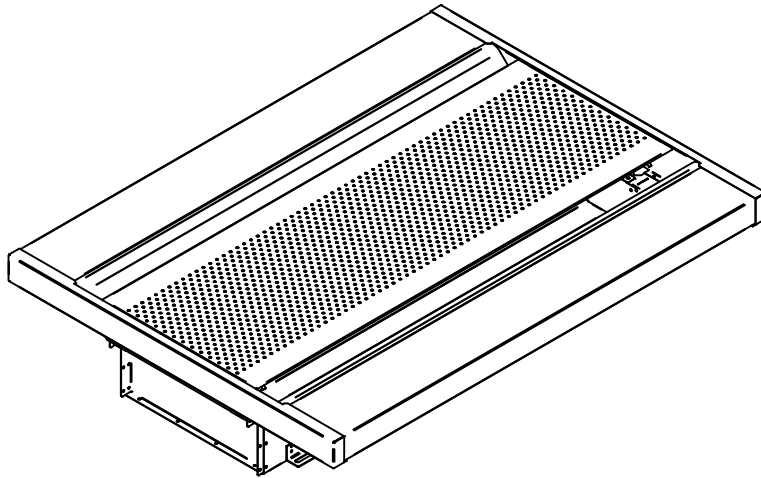
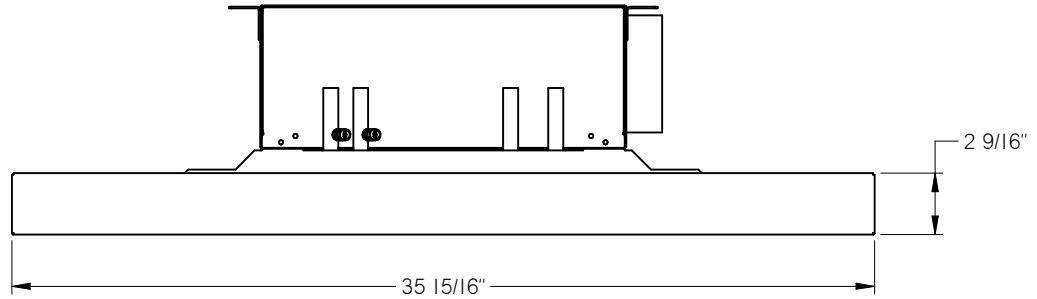
*LENGTH C IS MINIMUM DISTANCE FROM BRACKET SLOT TO BEAM END.

PROJECT:		PRICE	
ENGINEER:			
CUSTOMER:		266851	
SUBMITTAL DATE:	SPEC. SYMBOL:	2025/03/27	

ACTIVE CHILLED BEAM LINEAR 24" WIDE

CASING ACCESSORY:

- NONE (DEFAULT)
- WNG6 - COANDA WINGS
(ENDCAPS AND HARDWARE SHIPPED LOOSE)



PROJECT:



ENGINEER:

DY

CUSTOMER:

266851

ACBL24
ACTIVE CHILLED BEAM
LINEAR 24" WIDE

SUBMITTAL DATE:

SPEC. SYMBOL:

2025/03/27

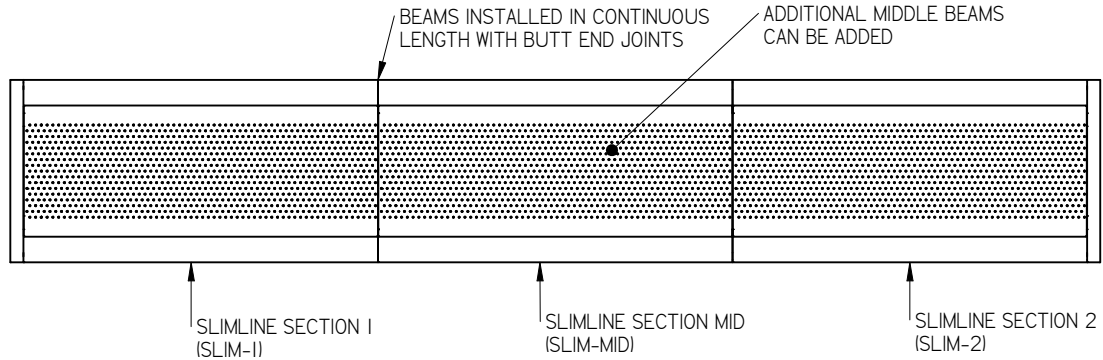
ACTIVE CHILLED BEAM LINEAR 24" WIDE

SLIMLINE COUPLING:

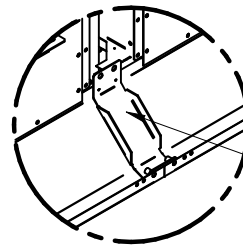
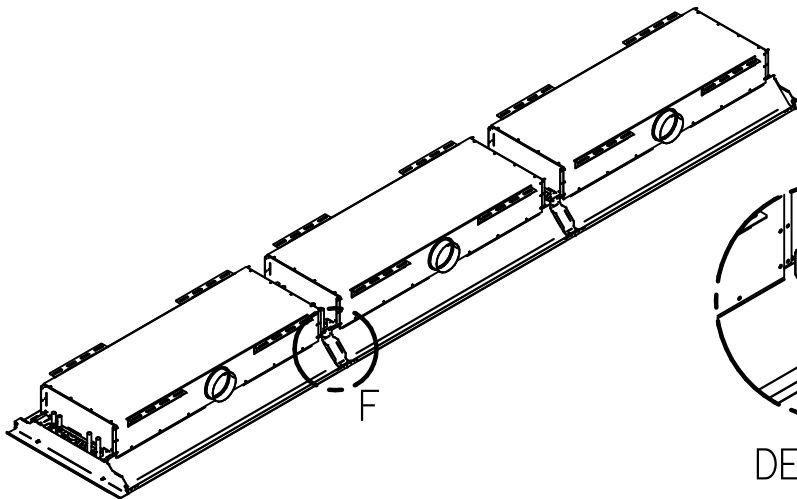
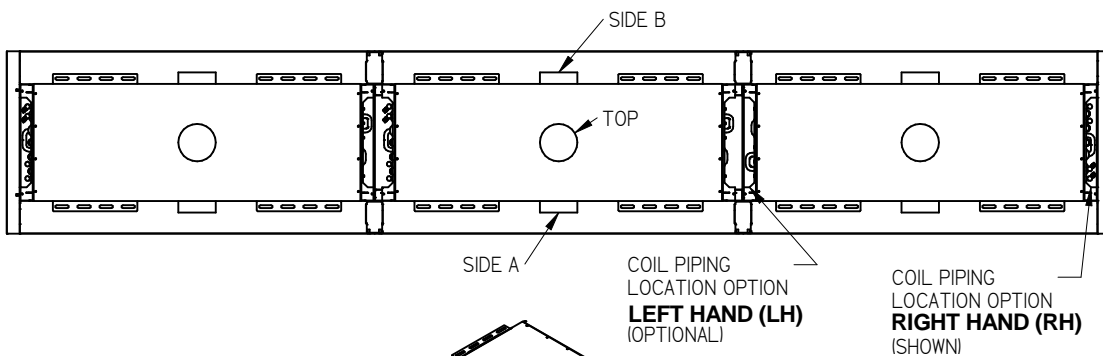
- NONE (DEFAULT)
- SLIM-1 - SLIMLINE COUPLING 1
- SLIM-2 - SLIMLINE COUPLING 2
- SLIM-MID - SLIMLINE COUPLING MID

NOTES:

- UNITS SHOWN WITHOUT ANY ACCESSORIES.
- UNITS SHIP SEPARATELY. ASSEMBLY ON SITE REQUIRED.
- GRILLE FACE IS NOT CONTINUOUS.
- COIL HANDING TO BE CHOSEN FOR SLIMLINE COUPLING OPTIONS.



1-WAY DISCHARGES TO SIDE B INLET



ALIGNMENT BRACKET ATTACHES ONE BEAM TO THE NEXT BY A SELF DRILLING SCREW AND 10-24 SCREW (PROVIDED)

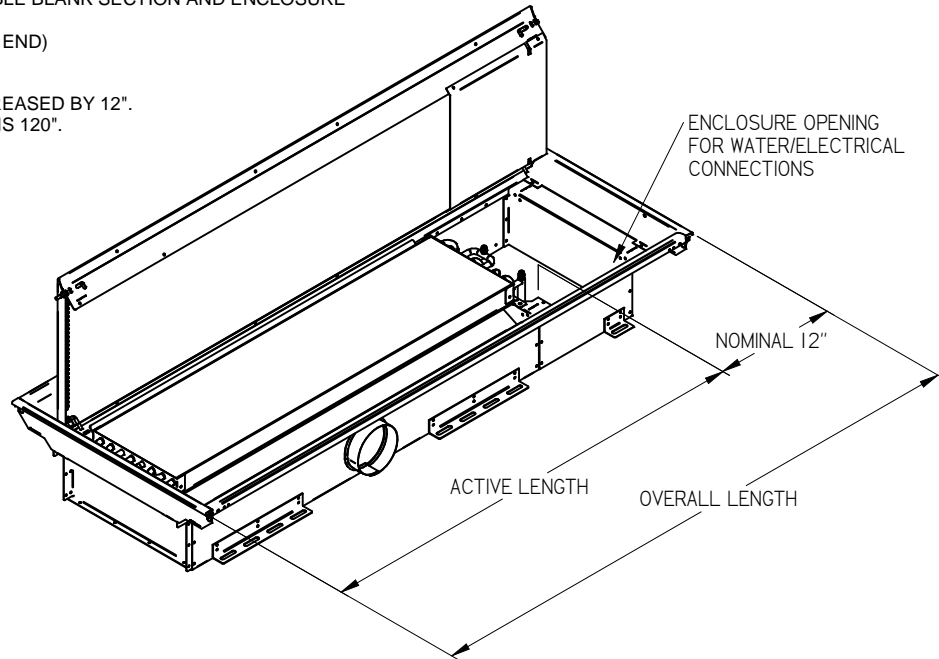
PROJECT:		PRICE	
ENGINEER:			
CUSTOMER:		266851	
SUBMITTAL DATE:	SPEC. SYMBOL:	2025/03/27	

ACTIVE CHILLED BEAM LINEAR 24" WIDE

ACCESS BLANK SECTION:

- NONE (DEFAULT)
- ABS12- 12" LONG FACE ACCESSIBLE BLANK SECTION AND ENCLOSURE
(ADD 12" TO ACTIVE LENGTH)
(LOCATED ON COIL CONNECTION END)

*OVERALL LENGTH OF BEAM IS INCREASED BY 12".
*MAXIMUM OVERALL BEAM LENGTH IS 120".



RETURN/EXHAUST SECTION

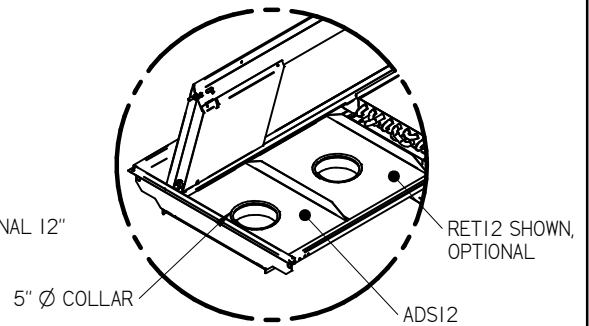
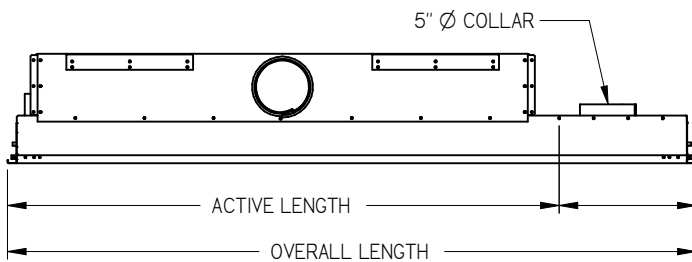
- NONE (DEFAULT)
- RET12 - 12" RETURN SECTION (5" INLET)
(ADD 12" TO ACTIVE LENGTH)
(LOCATED OPPOSITE OF COIL CONNECTION END)

* OVERALL LENGTH OF BEAM IS INCREASED BY 12".
* MAXIMUM OVERALL BEAM LENGTH IS 120".

AIR DIFFUSER SECTION

- NONE (DEFAULT)
- ADS12 - 12" AIR DIFFUSER SECTION (5" INLET)
(ADD 12" TO ACTIVE LENGTH)
(LOCATED OPPOSITE OF COIL CONNECTION END)

* OVERALL LENGTH OF BEAM IS INCREASED BY 12".
* MAXIMUM OVERALL BEAM LENGTH IS 120".



IF RETURN/EXHAUST ALSO SELECTED, RET IS BETWEEN ADS AND ACTIVE BEAM SECTION

PROJECT:

ENGINEER:

CUSTOMER:

SUBMITTAL DATE:

SPEC. SYMBOL:



DY

266851

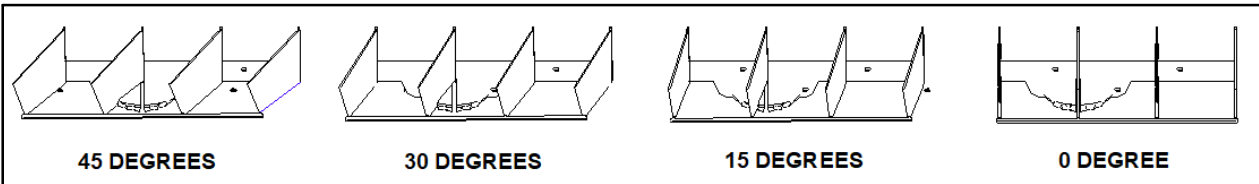
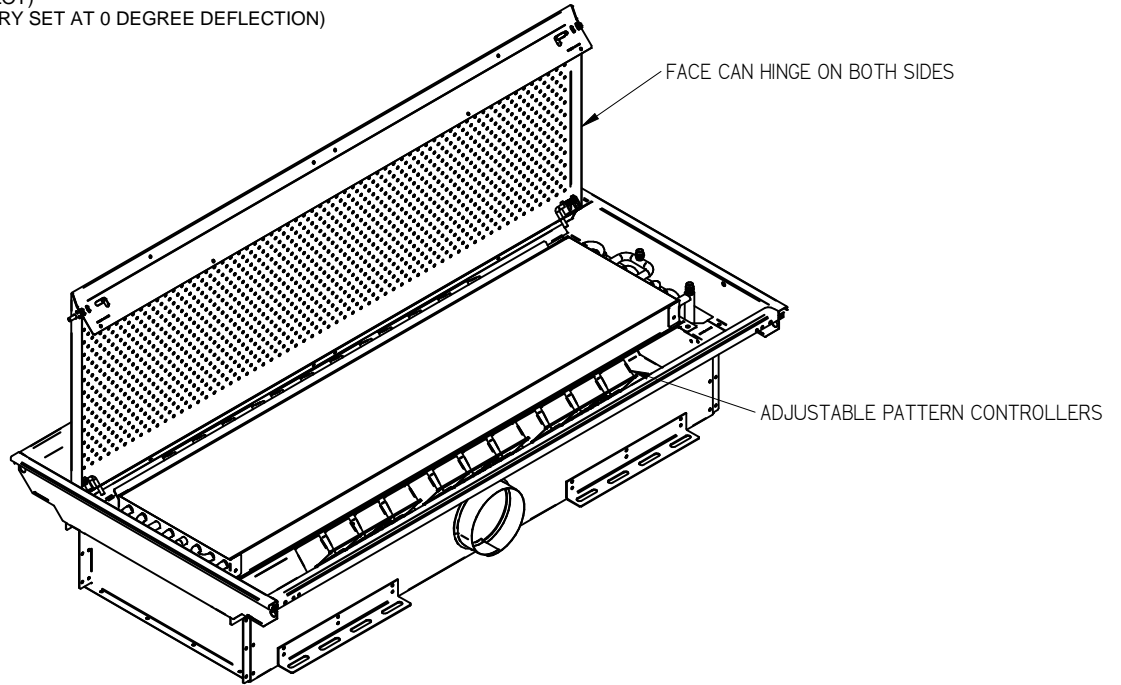
2025/03/27

ACBL24
ACTIVE CHILLED BEAM
LINEAR 24" WIDE

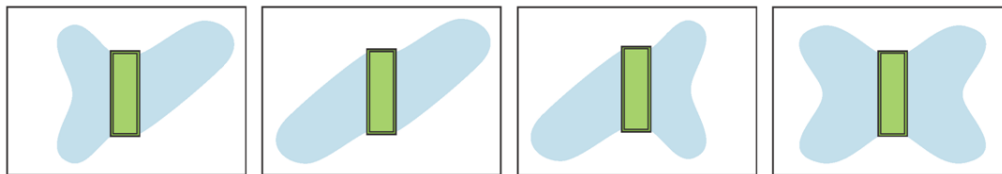
ACTIVE CHILLED BEAM LINEAR 24" WIDE

PATTERN CONTROLLERS

- NONE (DEFAULT)
- PC - ADJUSTABLE PATTERN CONTROLLERS
(LOCATED IN DISCHARGE SLOT)
(FIELD ADJUSTABLE, FACTORY SET AT 0 DEGREE DEFLECTION)



VARIOUS PATTERN CONFIGURATIONS, CONTACT APPLICATION ENGINEERING FOR ASSISTANCE



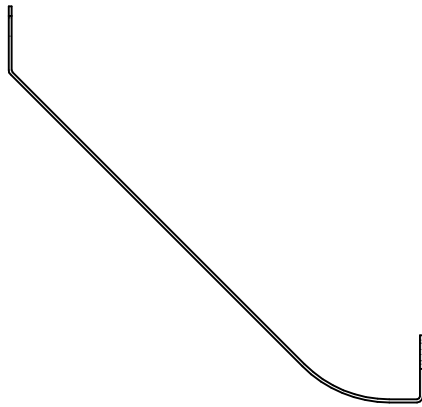
PROJECT:	
ENGINEER:	
CUSTOMER:	
SUBMITTAL DATE:	SPEC. SYMBOL:

PRICE	
DY	ACBL24 ACTIVE CHILLED BEAM LINEAR 24" WIDE
266851	
2025/03/27	

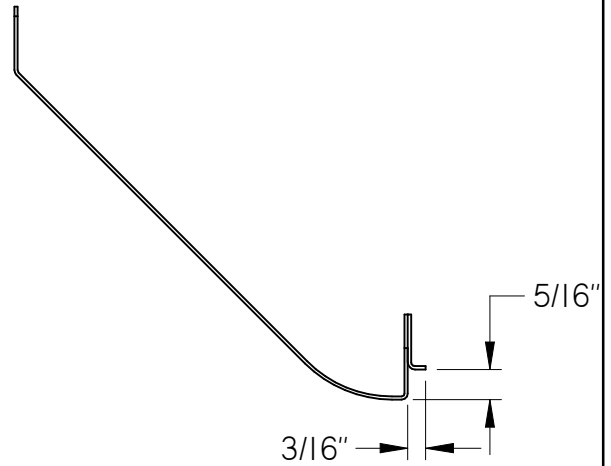
ACTIVE CHILLED BEAM LINEAR 24" WIDE

BORDER STYLE:

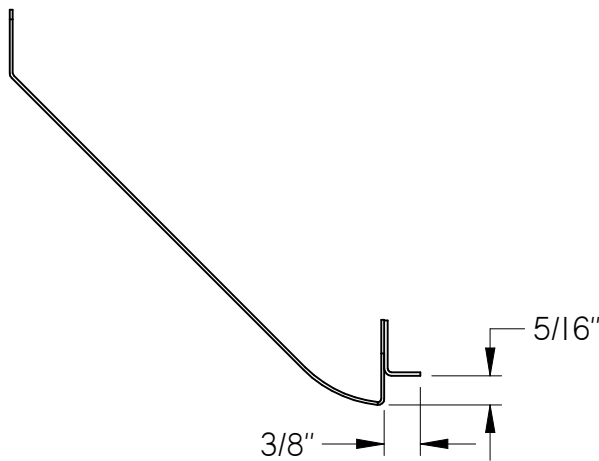
- NONE - STANDARD (DEFAULT)
- T9 - TEGULAR 9/16"
- T15 - TEGULAR 15/16"



STANDARD EDGE



9/16" TEGULAR EDGE



15/16" TEGULAR EDGE

PROJECT:



ENGINEER:

DY

ACBL24
ACTIVE CHILLED BEAM
LINEAR 24" WIDE

CUSTOMER:

266851

SUBMITTAL DATE:

SPEC. SYMBOL:

2025/03/27

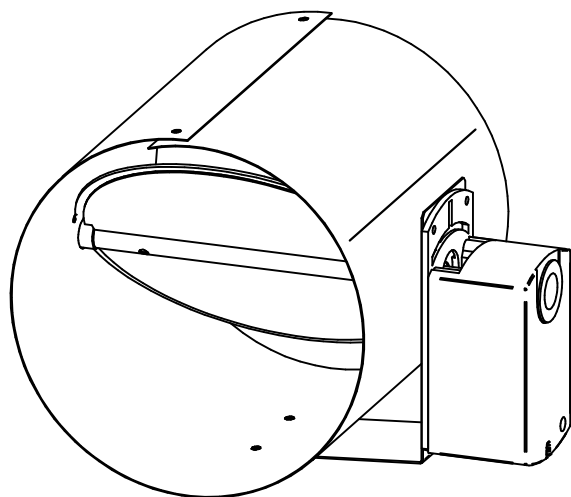
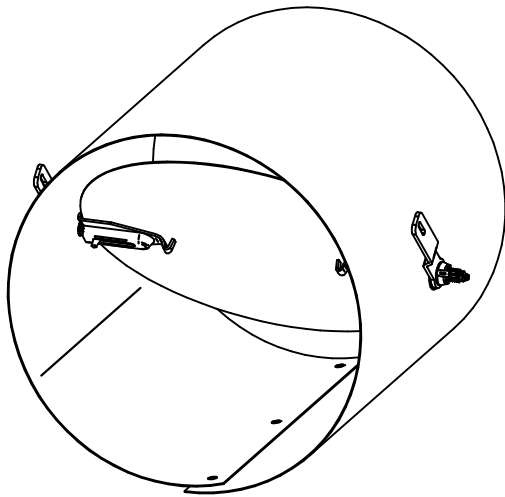
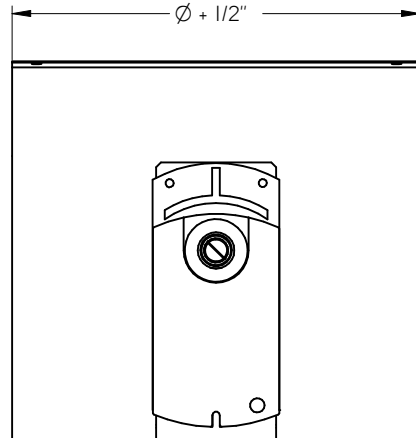
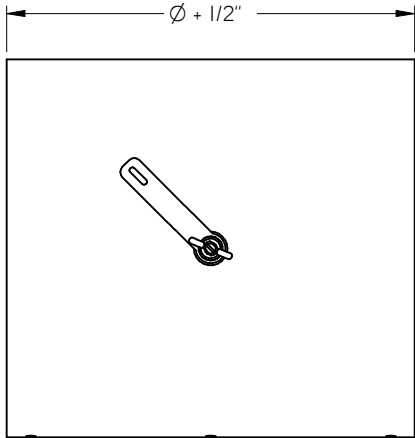
ACTIVE CHILLED BEAM LINEAR 24" WIDE

INLET DAMPER (SHIPPED LOOSE):

(DAMPERS SHOULD NOT BE MOUNTED DIRECTLY TO THE INLET AND SHOULD ONLY BE USED FOR TRIMMING AIRFLOW)

- MQ5 - 5" DAMPER W/ MANUAL LOCKING QUADRANT
- MQ6 - 6" DAMPER W/ MANUAL LOCKING QUADRANT
- MQ8 - 8" DAMPER W/ MANUAL LOCKING QUADRANT

- VAV5 - 5" DAMPER W/ 24VAC FLOATING POINT ACTUATOR
- VAV6 - 6" DAMPER W/ 24VAC FLOATING POINT ACTUATOR
- VAV8 - 8" DAMPER W/ 24VAC FLOATING POINT ACTUATOR



PROJECT:



ENGINEER:

DY

CUSTOMER:

266851

ACBL24
ACTIVE CHILLED BEAM
LINEAR 24" WIDE

SUBMITTAL DATE:

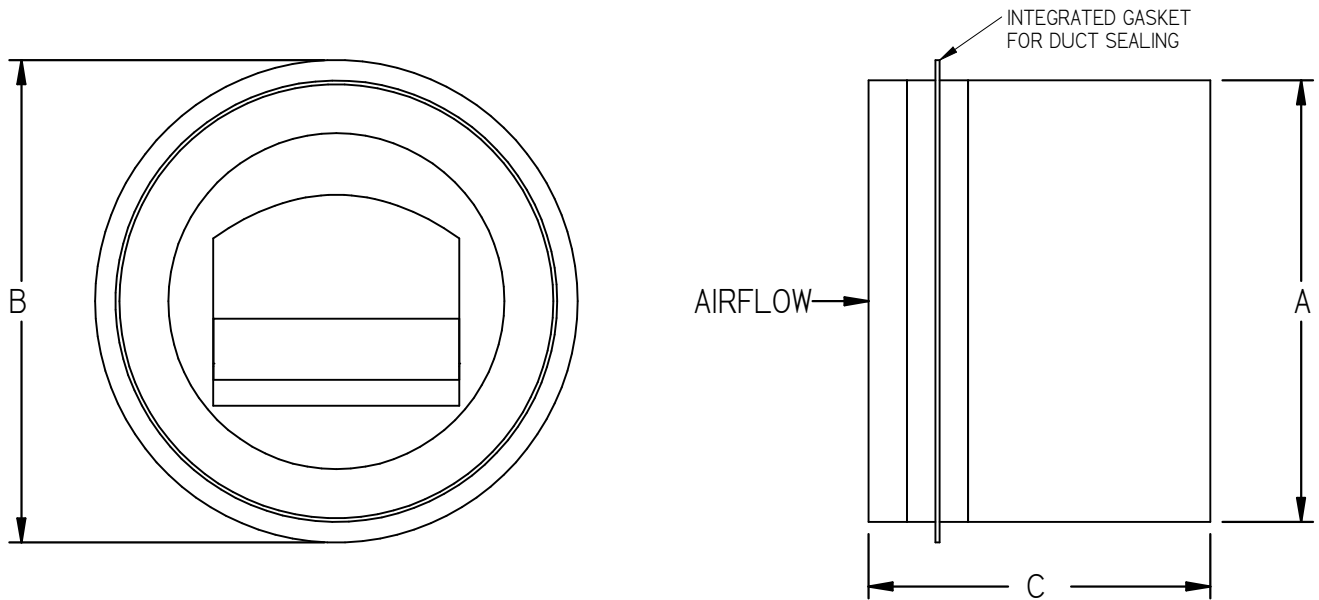
SPEC. SYMBOL:

2025/03/27

ACTIVE CHILLED BEAM LINEAR 24" WIDE

VOLUME FLOW REGULATOR OPTIONS (SHIPPED LOOSE):

- | | | |
|--|--|--|
| <input type="checkbox"/> NONE (DEFAULT) | <input type="checkbox"/> VFR6-75 - 6" DUCT VFR, 75 CFM | <input type="checkbox"/> VFR8-125 - 8" DUCT VFR, 125 CFM |
| <input type="checkbox"/> VFR5-35 - 5" DUCT VFR, 35 CFM | <input type="checkbox"/> VFR6-90 - 6" DUCT VFR, 90 CFM | <input type="checkbox"/> VFR8-140 - 8" DUCT VFR, 140 CFM |
| <input type="checkbox"/> VFR5-50 - 5" DUCT VFR, 50 CFM | <input type="checkbox"/> VFR6-105 - 6" DUCT VFR, 105 CFM | <input type="checkbox"/> VFR8-160 - 8" DUCT VFR, 160 CFM |
| <input type="checkbox"/> VFR5-60 - 5" DUCT VFR, 60 CFM | <input type="checkbox"/> VFR6-125 - 6" DUCT VFR, 125 CFM | <input type="checkbox"/> VFR8-175 - 8" DUCT VFR, 175 CFM |
| <input type="checkbox"/> VFR5-75 - 5" DUCT VFR, 75 CFM | <input type="checkbox"/> VFR6-140 - 6" DUCT VFR, 140 CFM | <input type="checkbox"/> VFR8-205 - 8" DUCT VFR, 205 CFM |
| <input type="checkbox"/> VFR5-90 - 5" DUCT VFR, 90 CFM | <input type="checkbox"/> VFR6-160 - 6" DUCT VFR, 160 CFM | <input type="checkbox"/> VFR8-235 - 8" DUCT VFR, 235 CFM |
| <input type="checkbox"/> VFR5-105 - 5" DUCT VFR, 105 CFM | <input type="checkbox"/> VFR6-175 - 6" DUCT VFR, 175 CFM | <input type="checkbox"/> VFR8-265 - 8" DUCT VFR, 265 CFM |
| | | <input type="checkbox"/> VFR8-295 - 8" DUCT VFR, 295 CFM |




Duct Size	A	B	C	AIRFLOW SELECTIONS (CFM)
5" (125)	4.800	5.100	3.500	35, 50, 60, 75, 90, 105
6" (150)	5.800	6.100	3.500	75, 90, 105, 125, 140, 160, 175
8" (200)	7.600	8.100	3.500	125, 140, 160, 175, 205, 235, 265, 295

STANDARD CONSTRUCTION:

- BLACK ABS PLASTIC, UL94V-0 RATED
- UL2043 LISTED
- SIZED TO FIT INSIDE STANDARD RIGID ROUND DUCTING
- INTEGRATED GASKET FOR SEALING AGAINST INSIDE OF DUCT

PERFORMANCE:

- CONTROLS AIRFLOW WITHIN 10% OF RATED FLOW (15% FOR UNITS 50CFM OR LESS) FOR 0.2" TO 0.8" W.C.

PROJECT:		 ACBL24 ACTIVE CHILLED BEAM LINEAR 24" WIDE
ENGINEER:		
CUSTOMER:		
SUBMITTAL DATE:		
SPEC. SYMBOL:		DY 266851 2025/03/27