

Dynamic Fire Damper, Horizontal and Vertical

Model

Dynamic Fire Damper **FDD-C**

Standard Construction:

Frame: Roll Formed Galvanized Steel with Safety Edge.

Blades: Roll Formed Galvanized Steel, Curtain-Type

Springs: Stainless Steel.

Fusible Link: U.L. Listed 165°F.

1 1/2 & 3 Hr. Vertical:

Min. Size: 5"w x 3"h (127mm x 76mm) or 5" (127) round

Max. Single Section: 35"w x 32"h (889mm x 813mm)

Max. Size:

71" w X 32" h (1803mm x 813mm)

1 1/2 & 3 Hr. Horizontal:

Min. Size: 5"w x 3"h (152mm x 102mm) or 5" (127) round

Max. Single Sect.: 23"w x 20"h (584mm x 508mm)

Max. Size: 35" w X 32" h (889mm x 813mm)

Optional Construction:

- For factory supplied sleeve see submittal for FDD-C c/w sleeve.
- 3 Hour Rating
- 212°F fusible link (vertical only, 23"x20" (584mm x 508mm) max size)

Notes: Dampers are furnished approximately 1/4" (6mm) smaller than given duct dimensions.

UL/ULC Approved For Use in Static and Dynamic Systems.

Models:

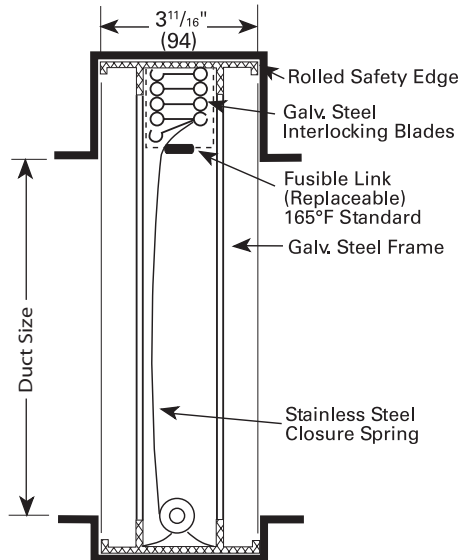
- FDD-RC - round inlet
- FDD-SRC - square/rectangular inlet
- FDD-OVC - oval inlet

Manufacturer's Recommendations

All moving parts of the damper must be inspected and cycled at intervals not greater than every six months and in accordance with the latest edition of NFPA 90A, 92A, local codes and the actuator manufacturer. In addition, fuse links shall be removed and inspected for corrosion. Dry lubricants are recommended.

Specifications are correct at time of printing. However, as part of our 'continuous improvement program,' we reserve the right to make further improvements without notice.

FDD-C-V

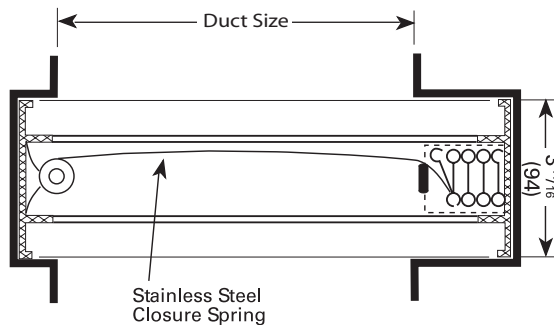


DESIGNED AND TESTED IN ACCORDANCE WITH UL-555 AND ULC-S112. MEETS ALL NFPA-90A REQUIREMENTS FOR FIRE DAMPERS.

LISTED AND LABELLED BY :



FDD-C-H



PROJECT:			
ENGINEER:			
CUSTOMER:			Feb / 14
SUBMITTAL DATE:	SPEC. SYMBOL:		245018

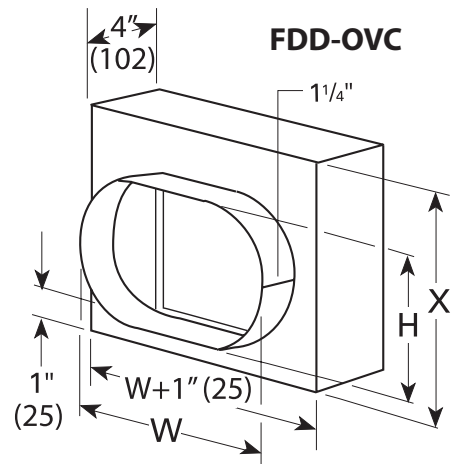
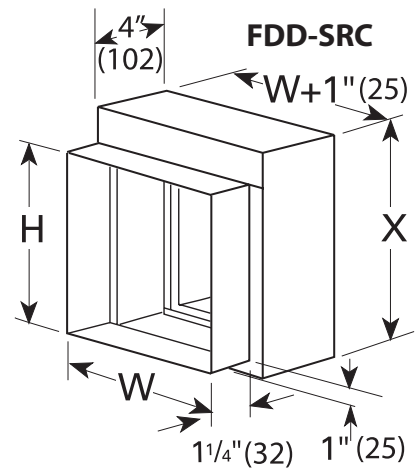
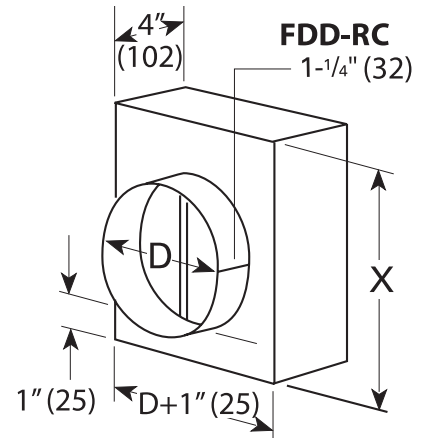
Model FDD-C
 1½, 3 Hour Rated
 "C" Style

Dynamic Fire Damper, Horizontal and Vertical

SIZE CHART

Duct Height	Type C Damper Height
Inches	Inches
3	6
4	7
5	8
6	9
7	10
8	11
9	12
10	13
11	14
12	15
13	16
14	17
15	18
16	19
17	20
18	21
19	22
20	23
21	25
22	26
23	27
24	28
25	29
26	30
27	31
28	32
29	33
30	34
31	35
32	36

X = DAMPER HEIGHT



W = Width (Duct)
 H = Height (Duct)
 X = Variable (See Size Chart)

Dynamic Fire Damper, Horizontal and Vertical

Model

Dynamic Fire Damper

FDD-C-S c/w sleeve

Standard Construction:

Frame: Roll Formed Galvanized Steel with Safety Edge.

Blades: Roll Formed Galvanized Steel, Curtain-Type

Factory Sleeve: 12" (305mm) - 20/22ga.

Springs: Stainless Steel.

Fusible Link: U.L. Listed 165°F.

1 1/2 & 3 Hr. Vertical:

Min. Size: 5"w x 3"h (127mm x 76mm) or 5" (127) round

Max. Single Sect.: 35"w x 32"h (889mm x 813mm)

Max. Size:

71" W X 32" h (1803mm x 813mm)

1 1/2 & 3 Hr. Horizontal:

Min. Size: 5"w x 3"h (152mm x 102mm) or 5" (127) round

Max. Single Sect.: 23"w x 20"h (583mm x 508mm)

Max. Size: 35" W X 32" h (889mm x 813mm)

Optional Construction:

- Sleeve Gauge
 - 18 Gauge
 - 16 Gauge
 - 14 Gauge
 - 10 Gauge
 - Sleeve Length (Required)
- 212°F fusible link (vertical only, 23"x20" (583mm x 508mm) max size)

Notes: Dampers are furnished approximately 1/4" (6mm) smaller than given duct dimensions.

Models:

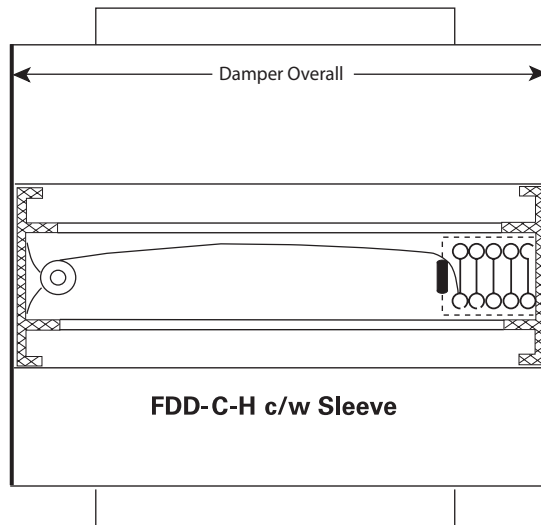
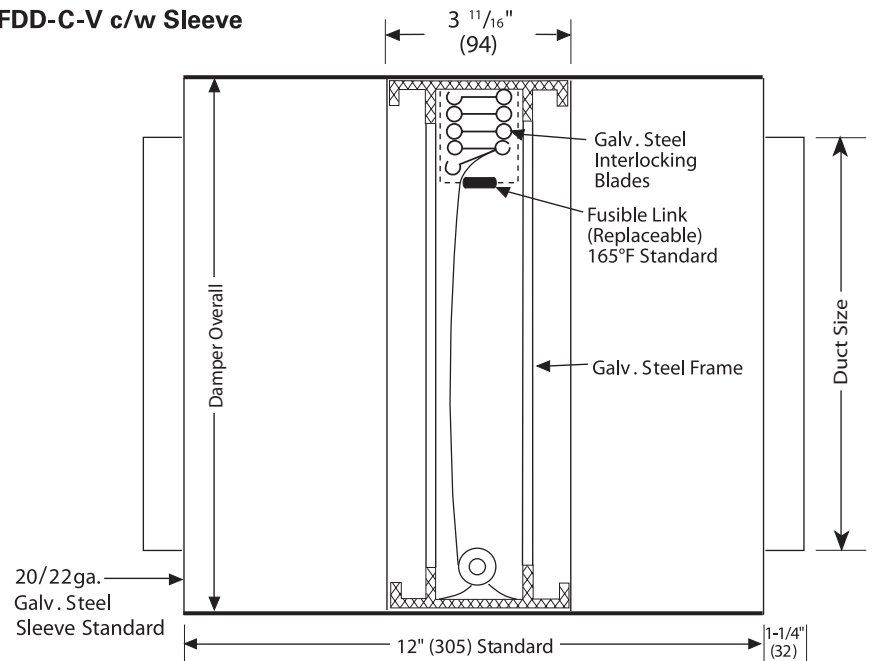
- FDD-RC - round inlet
- FDD-SRC - square/rectangular inlet
- FDD-OVC - oval inlet

UL/ULC Approved For Use in Static and Dynamic Systems.

Manufacturer's Recommendations

All moving parts of the damper must be inspected and cycled at intervals not greater than every six months and in accordance with the latest edition of NFPA 90A, 92A, local codes and the actuator manufacturer. In addition, fuse links shall be removed and

FDD-C-V c/w Sleeve



DESIGNED AND TESTED IN ACCORDANCE WITH UL-555 AND ULC-S112. MEETS ALL NFPA-90A REQUIREMENTS FOR FIRE DAMPERS.

LISTED AND LABELLED BY :



inspected for corrosion. Dry lubricants are recommended.

Specifications are correct at time of printing. However, as part of our 'continuous improvement program,' we reserve the right to make further improvements without notice.

PROJECT:			
ENGINEER:			
CUSTOMER:		Feb / 14	
SUBMITTAL DATE:	SPEC. SYMBOL:	245019	

Model FDD-C-S c/w sleeve

1 1/2, 3 Hour Rated

"C" Style

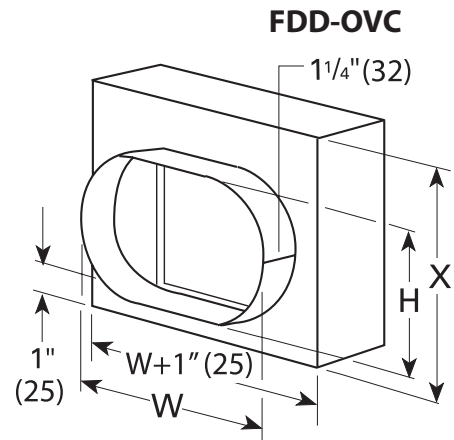
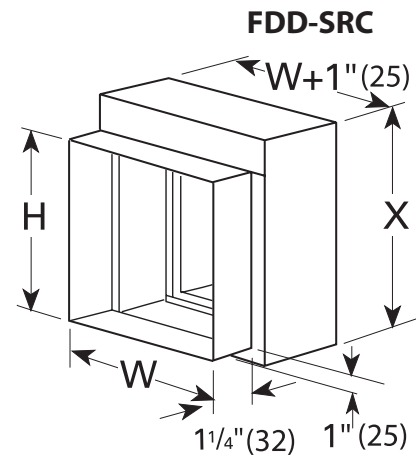
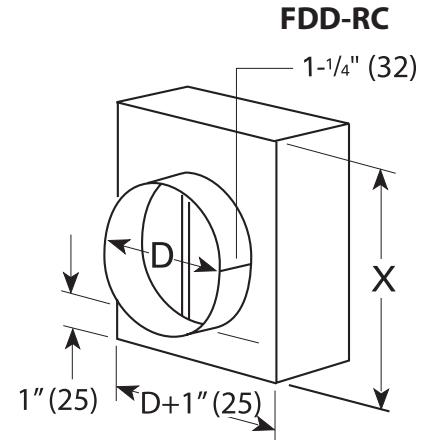


Dynamic Fire Damper, Horizontal and Vertical

SIZE CHART

Duct Height	Type C Damper Height
Inches	Inches
3	6
4	7
5	8
6	9
7	10
8	11
9	12
10	13
11	14
12	15
13	16
14	17
15	18
16	19
17	20
18	21
19	22
20	23
21	25
22	26
23	27
24	28
25	29
26	30
27	31
28	32
29	33
30	34
31	35
32	36

X = DAMPER HEIGHT



W = Width (Duct)

H = Height (Duct)

X = Variable (See Size Chart)