

Low Leakage Smoke Damper

Model

Low Leakage Smoke Damper **SSD-3V-201**

Features

- The SSD-3V-201 series Smoke Dampers have been designed and tested to exceed all U.L., U.L.C. and N.F.P.A. requirements for smoke dampers. These U.L. leakage rated dampers are intended for use in engineered smoke control systems to provide extremely tight shut off.
- U.L. 555S and U.L.C. S112.1 listed and labelled as Leakage Class I rated Smoke Damper with airflow in both directions. Class I provides for a maximum leakage of 8 cfm per sq. ft. at 4 inch static pressure. As we are constantly expanding our U.L./U.L.C. listings, we suggest you contact the factory for further information.
- The SSD-3V-201 damper's rigid frame and integrally braced corners provide true damper alignment that generally resists being installed out of square or out of flat. This insures onsite performance equal to test results.
- The SSD-3V-201 exceeds N.F.P.A. 90A & 92 smoke damper requirements and is recommended for applications that call for tight sealing requirements. The SSD-3V-201 provides excellent control of smoke movement or containment as the smoke management system demands.
- The SSD-3V-201 may be equipped with factory installed electric or pneumatic operators.
- Permitted for vertical and horizontal orientation.

Standard Construction:

Frame: Roll-formed galvanized steel hat-section with staked corners with integral bracing.

Blades: 16 ga. Roll-formed galvanized steel.
Minimum width: 4¹/₄" (108mm)
Maximum width: 7¹/₄" (184mm)

Bearings: Bronze Oilite, press-fit into frame.

Axles: Square, plated steel.

Seals: Pressure sensitive 450°F silicone blade edge seals and flexible metal jamb seals.

Linkage: Concealed in frame. Linkage bars are 12ga. galvanized steel.

Finish: Mill galvanized.

Sizes:

Minimum Size: 8"w x 6"h.
(203 mm x 152 mm)

Maximum UL Listed Size:
Single Section: 36"w x 48"h
(914 mm x 1219 mm)

Multiple Assembly:

144"w x 96"h (3658mm x 2438mm)

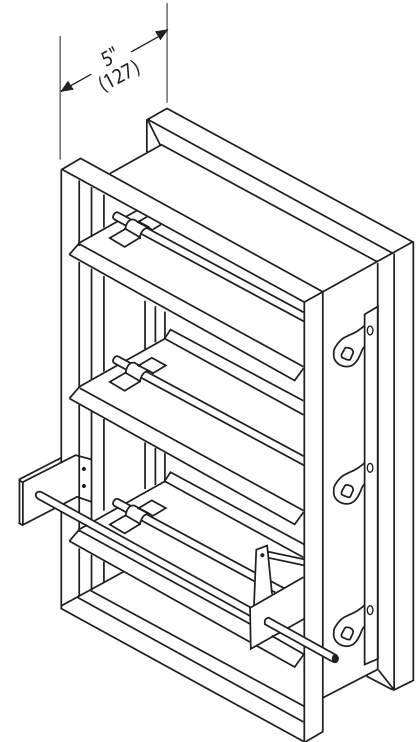
Notes: Dampers are furnished approximately 1/4" (6mm) smaller than given duct dimensions.

- Not recommended with blades running vertically.

Manufacturer's Recommendations

All moving parts of the damper must be inspected and cycled at intervals not greater than every six months and in accordance with the latest edition of NFPA 90A, 92A, local codes and the actuator manufacturer. In addition, fuse links shall be removed and inspected for corrosion. Dry lubricants are recommended.

Specifications are correct at time of printing. However, as part of our 'continuous improvement program,' we reserve the right to make further improvements without notice.



LISTED AND LABELLED BY:



U.L. 555S CLASSIFIED
AT 250°F OR 350°F
DEPENDENT UPON
MOTOR/OPERATOR
*SEE MOTOR/OPERATOR SCHEDULE

PROJECT:		
ENGINEER:		
CUSTOMER:		Jul / 06
SUBMITTAL DATE:	SPEC. SYMBOL:	245040

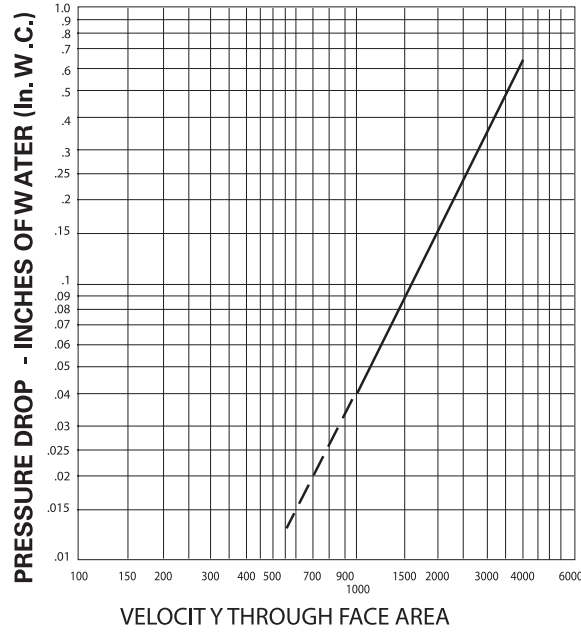
Model SSD-3V-201
U.L. 555S Classified
Class 1



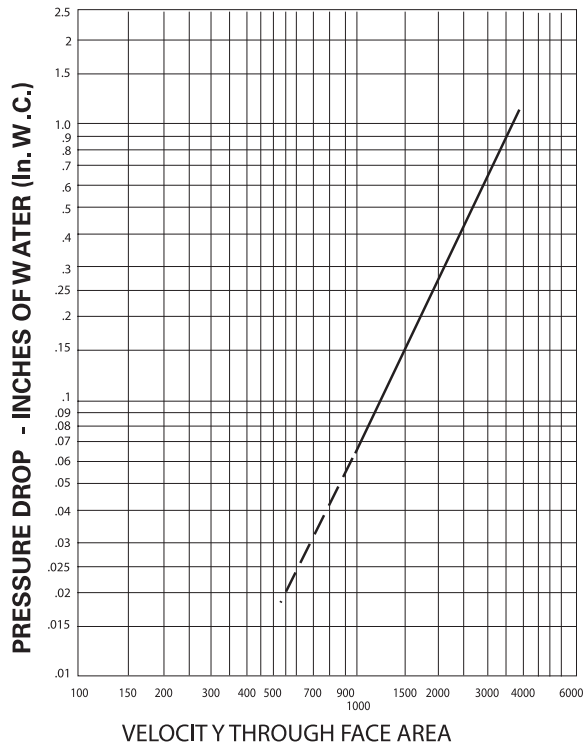
Low Leakage Smoke Damper

Pressure drop testing was done by an independent laboratory to AMCA Standard 500-D, Fig. 5.3 ductwork upstream & downstream.

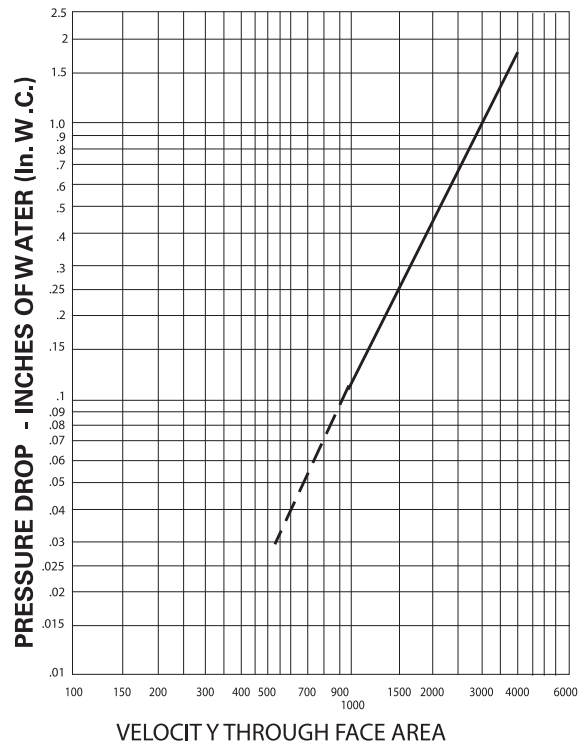
DAMPER SIZE 36 x 36



DAMPER SIZE 24 x 24



DAMPER SIZE 12 X 12



Low Leakage Smoke Damper

Model

Low Leakage Smoke Damper **SSD-3V-202**

Features

- The SSD-3V-202 series Smoke Dampers have been designed and tested to exceed all U.L., U.L.C. and N.F.P.A. requirements for smoke dampers. These U.L. leakage rated dampers are intended for use in engineered smoke control systems to provide extremely tight shut off.
- U.L. 555S and U.L.C. S112.1 listed and labelled as Leakage Class II rated Smoke Damper with airflow in both directions. Class II provides for a maximum leakage of 20 cfm per sq. ft. at 4.0 inches static pressure. As we are constantly expanding our U.L./U.L.C. listings, we suggest you contact the factory for further information.
- The SSD-3V-202 damper's rigid frame and integrally braced corners provide true damper alignment that generally resists being installed out of square or out of flat. This insures onsite performance equal to test results.
- The SSD-3V-202 exceeds N.F.P.A. 90A & 92 smoke damper requirements and is recommended for applications that call for tight sealing requirements. The SSD-3V-202 provides excellent control of smoke movement or containment as the smoke management system demands.
- The SSD-3V-202 may be equipped with factory installed electric or pneumatic operators.

Standard Construction:

Frame: Roll-formed galvanized steel hat-section with staked corners with integral bracing.

Blades: 16 ga. Roll-formed galvanized steel.
Minimum width: 4¹/₄" (108mm)
Maximum width: 7¹/₄" (184mm)

Bearings: Bronze Oilite, press-fit into frame.

Axles: Square, plated steel.

Seals: Pressure sensitive 450°F silicone blade edge seals and flexible metal jamb seals.

Linkage: Concealed in frame. Linkage bars are 12ga. galvanized steel.

Finish: Mill galvanized.

Sizes: Minimum Size: 6"w x 6"h. (152mm x 152mm)

Maximum UL Listed Size:
Single Section: 36"w x 48"h
(914mm x 1219mm)

Multiple Assembly:

144"w X 96"h (3658mm x 2438mm)

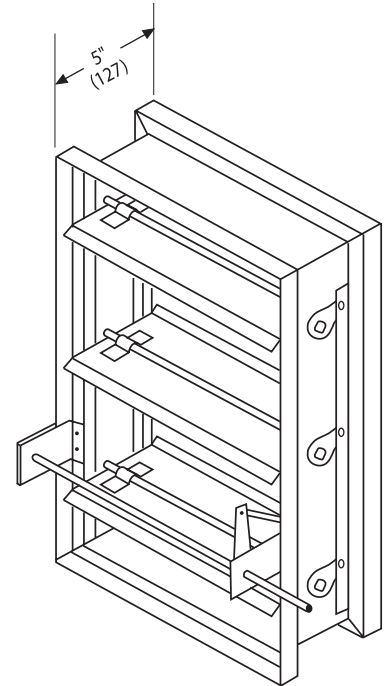
Notes:

- Dampers are furnished approximately 1/4" (6mm) smaller than given duct dimensions.
- Not recommended with blades running vertically.

Manufacturer's Recommendations

All moving parts of the damper must be inspected and cycled at intervals not greater than every six months and in accordance with the latest edition of NFPA 90A, 92A, local codes and the actuator manufacturer. In addition, fuse links shall be removed and inspected for corrosion. Dry lubricants are recommended.

Specifications are correct at time of printing. However, as part of our 'continuous improvement program,' we reserve the right to make further improvements without notice.



LISTED AND LABELLED BY:



U.L. 555S CLASSIFIED
AT 250°F OR 350°F
DEPENDENT UPON
MOTOR/OPERATOR
*SEE MOTOR/OPERATOR SCHEDULE

PROJECT:			
ENGINEER:			
CUSTOMER:		Jul / 06	
SUBMITTAL DATE:	SPEC. SYMBOL:	245041	

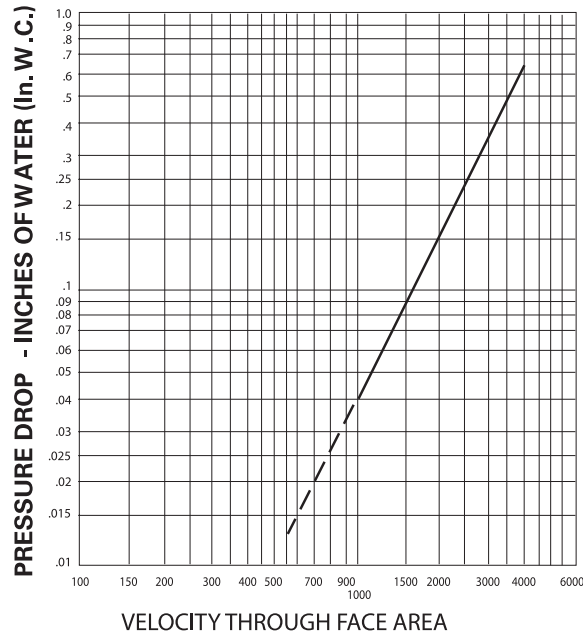
Model SSD-3V-202
U.L. 555S Classified
Class 2



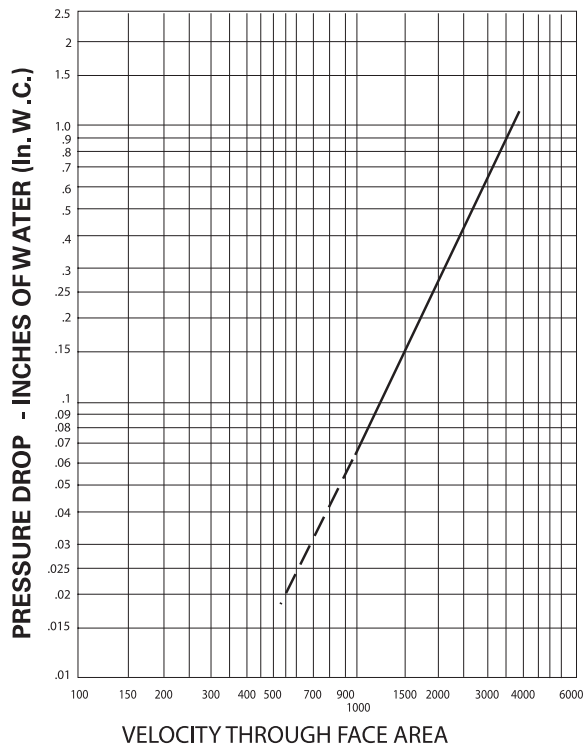
Low Leakage Smoke Damper

Pressure drop testing was done by an independent laboratory to AMCA Standard 500-D, Fig. 5.3 ductwork upstream & downstream.

DAMPER SIZE 36 x 36



DAMPER SIZE 24 x 24



DAMPER SIZE 12 X 12

