

Product Information

Models

Blade Louvers

35° Blade

BCDE635

Price BCDE635 stationary drainable louvers feature alloy 6063-T5 extruded 6" aluminum blades positioned at a 35° angle. The drainable louvers achieve optimum air performance and water penetration ratings with vertical and horizontal gutter systems that capture droplets before they cascade from blade to blade and are entrained in the airstream. This louver is available with visible mullions that are joined with an extruded aluminum "I" connection, or continuous horizontal blades that utilize concealed blade braces and hidden vertical supports in place of jamb frames to present uninterrupted horizontal blade appearance.

Features

- Drainable Blade.
- .081" Extruded Aluminum Blades and Frames.
- Nominal **57.5%** free area (based on 48" x 48").
- Integral perimeter caulking stop.
- 1/2" x 1/2" (12 x 12) 16 gauge Expanded Aluminum Bird Screen without frame.
- Mill finish.

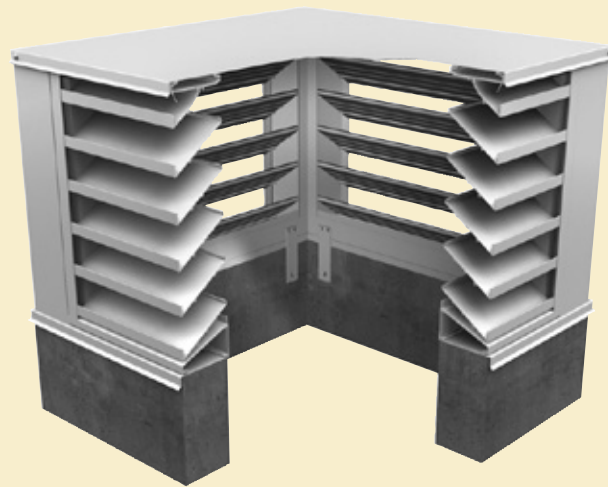
Options

- Welded Construction.
- Extended Sill (loose) 14 GA. Aluminum.
- Blank-offs are available in Aluminum with or without Insulation. Insulation is available in 1", 1.5", 2", or 3" thickness.
- Variety of Mounting options.
- Exterior or Interior Frame Mounting.
- Variety of Bird Screens, Insect Screens and Frames available.
- Wide variety of Finishes: Baked Enamel, Prime Coat, Custom Finishes, Clear Anodized and Colour Anodized.
- Select from PRICE Colour Chart or provide colour sample to match.
- Note: Colour variations can be expected within the same order and even on the same louver due to the anodizing process.

Blade Louvers

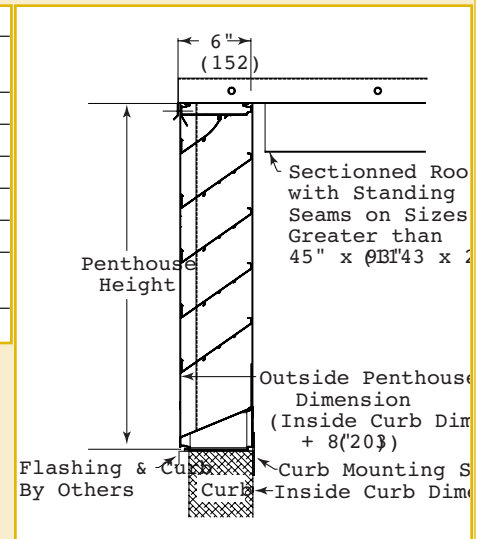
6" (152 mm) Deep

BCDE635



Louver Type	Visible Mullion
Material	Extruded Aluminum (Alloy 6063-T5)
Stationary Blade	.081" (2 mm)
Frame	.081" (2 mm)
Louver Depth	6" (152 mm)
Blade Angle	35°
Wind Load	25 psf (100 mph)
Free Area – 4" x 4" x 4" Unit	36.83 sq.ft. (3.422 sq.m.)
Percent Free Area	57.5%

For performance information, please refer to page 7.



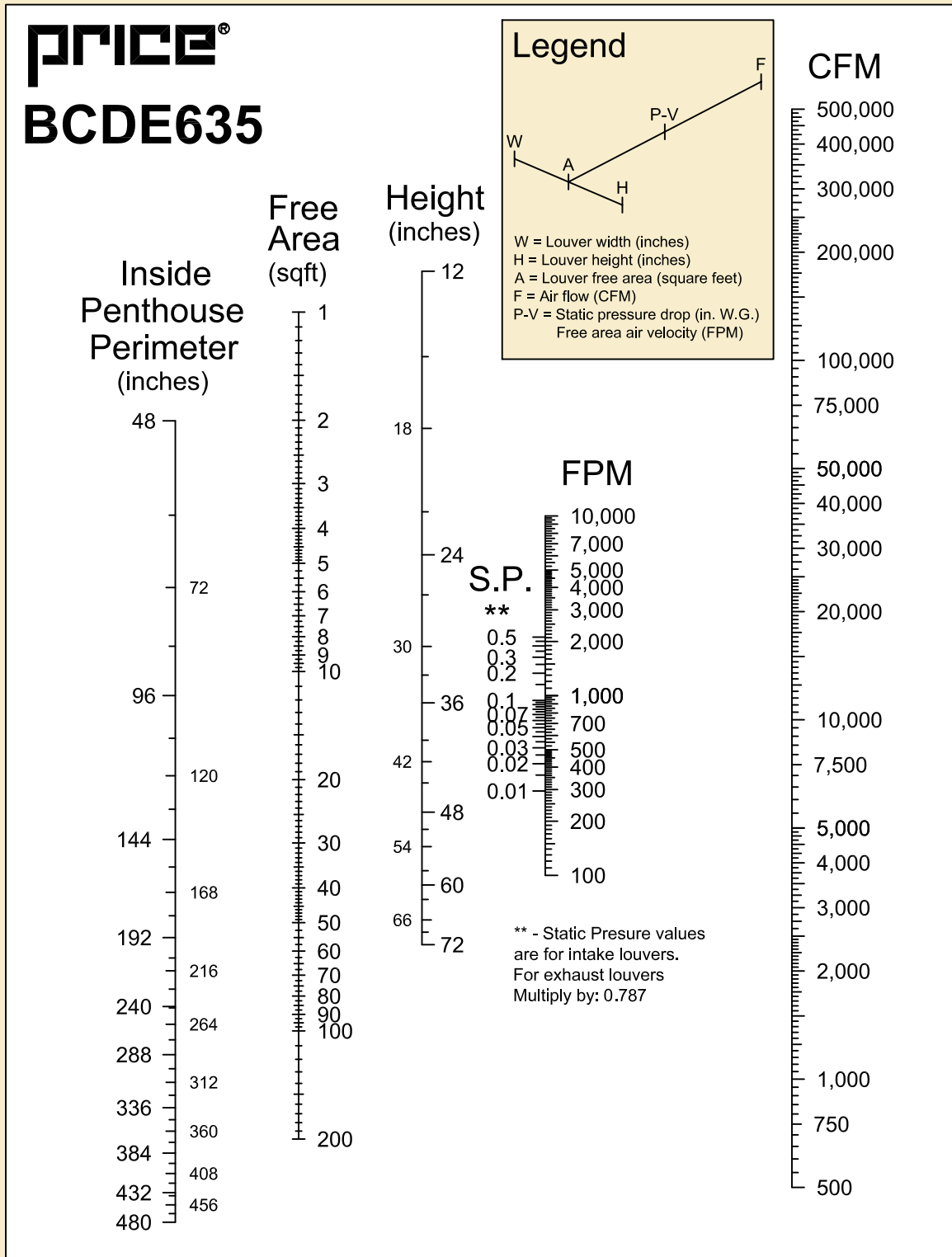
Extruded Aluminum - Fixed Blades



BCDE635

Drainable 35 Degree Blades

Performance Data



BCDE635-060101-0

LOUVERS

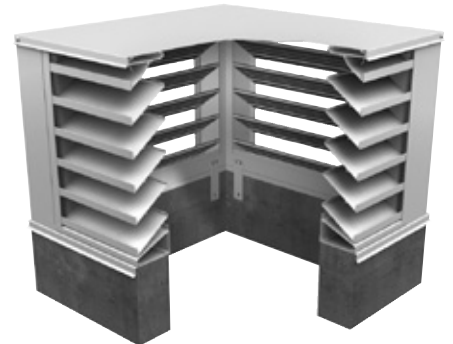
Extruded Aluminum - Fixed Blades
BCDE635
 Drainable 35 Degree Blades

Box Corners Penthouse
6" (152 mm) Deep

Louver Type	Visible Mullion
Material	Extruded Aluminum (Alloy 6063-T5)
Stationary Blade	.081" (2 mm)
Frame	.081" (2 mm)
Louver Depth	6" (152 mm)
Blade Angle	35°
Wind Load	25 psf (100 mph)
Free Area – 4" x 4" x 4" Unit	36.83 sq.ft. (3.422 sq.m.)
Percent Free Area	57.5%

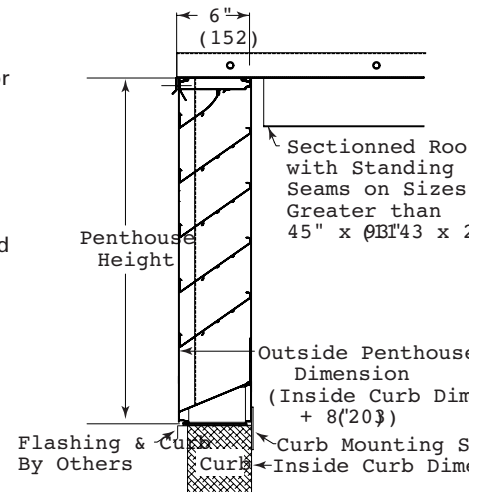
Ratings do not include the effect of a bird screen.

BCDE635
Blade Louvers
 6" (152 mm) Deep



Features

- Drainable blade with vertical jamb gutter.
- Positive locking corner joiner mounts from exterior.
- Slip-on corner cover requires no screws.
- Designed for snow load up to 50 psf (2,394 Pa), consult your local representative for higher loading.
- All welded construction: minimum 1" fillet welds.
- Nominal 58% free area (based on 48" x 48" x 48").
- Optional bird and insect screens available.
- Optional insulated roof and roof curbs are available.
- Optional Duracron, Duranar and Duranar-XL baked enamel finish as per our standard color chart or any custom color.



ALL-WELDED CONSTRUCTION

